



PHOENIX

SPECIFICATIONS

VIVID

WALL BASIN OUTLET 200MM CURVED



PRODUCT CODE:	V252 CHR
FINISH:	CHROME
WELS:	5 STAR - 5.0LT/MIN

INFORMATION:

MATERIAL:	BRASS
TEMPERATURE RATING:	MIN 1° - MAX 75°
PRESSURE RATING:	MIN 150 kPa - MAX 500 kPa

CONSUMER UNIT:

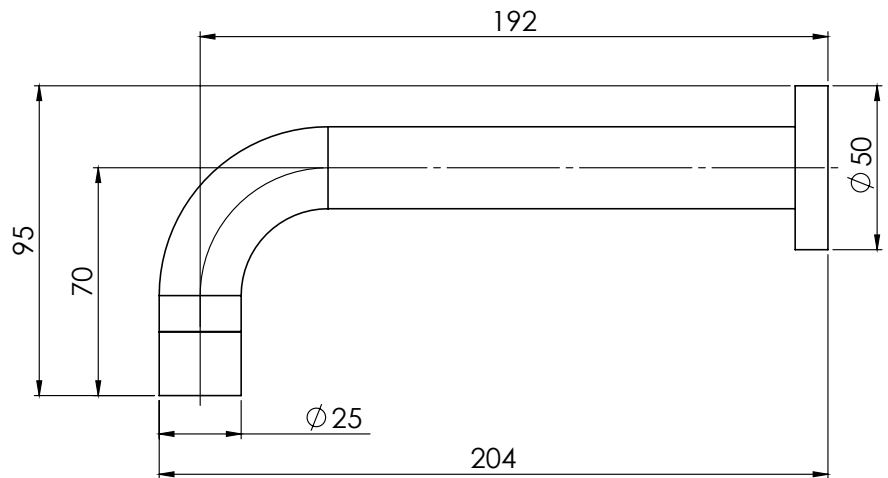
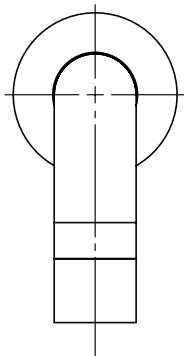
SIZE:	L 270MM x W 90MM x H 40MM
GROSS WEIGHT:	0.4KG
BARCODE EAN-13:	9 320594 01 277

AVAILABLE IN:



CHROME

FOR MORE INFORMATION VISIT
www.phoenixtapware.com.au



PLEASE [CLICK HERE](#) TO VIEW FULL WARRANTY

While we aim to ensure the specifications shown are correct at time of printing, Phoenix Tapware reserves the right to make modifications without prior notice. Always use the physical product measurements for mark-ups and roughing-in as the line drawing shown may differ from the actual product over time. All measurements are shown in millimetres.

www.phoenixtapware.com.au
03 9780 4200



PHOENIX

SPECIFICATIONS

VIVID

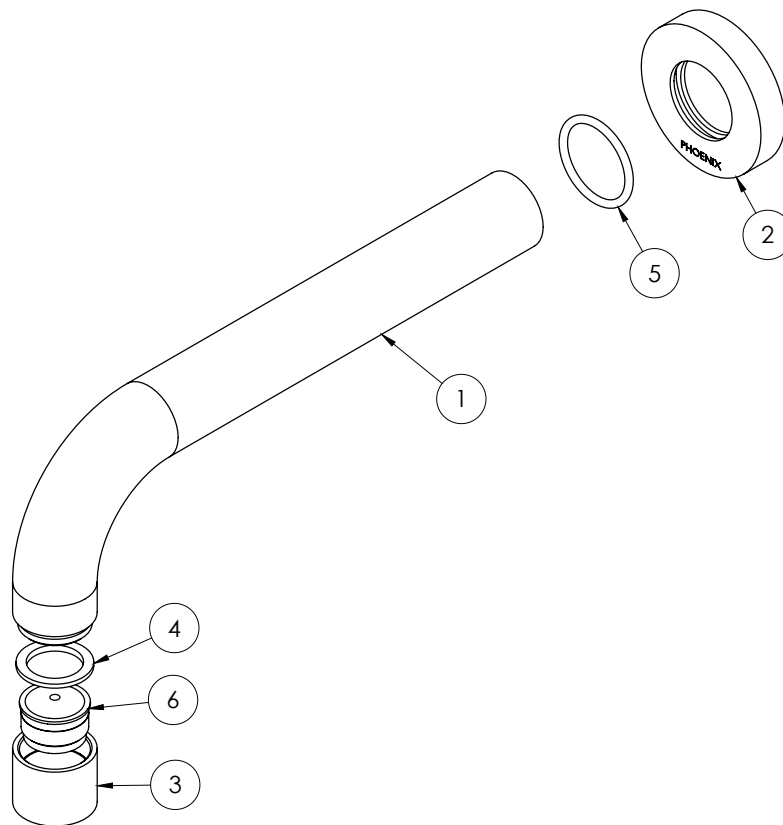
WALL BASIN OUTLET 200MM CURVED

PRODUCT CODE: V252 CHR
FINISH: CHROME
WELS: 5 STAR - 5.0LT/MIN



PARTS LIST

1. CURVED OUTLET 200MM
2. BACKPLATE
3. AERATOR RETAINER
4. AERATOR GASKET
5. O-RING 25X2.5MM
6. AERATOR



MAINTENANCE AND CARE:

- All surfaces should be cleaned with mild liquid detergent or soap and water.
- Do not use cream cleaners or citrus based cleaning products, as they are abrasive.
- Use of unsuitable cleaning agents may damage the surface. Any damage caused in this way will not be covered by warranty.

PACKAGING INCLUDES

- 1 x Wall outlet 200mm
- 1 x Installation instructions
- 1 x Warranty card

PLEASE [CLICK HERE](#) TO VIEW FULL WARRANTY

While we aim to ensure the specifications shown are correct at time of printing, Phoenix Tapware reserves the right to make modifications without prior notice. Always use the physical product measurements for mark-ups and roughing-in as the line drawing shown may differ from the actual product over time. All measurements are shown in millimetres.

www.phoenixtapware.com.au
03 9780 4200