



PHOENIX

SPECIFICATIONS

RUSH

SHOWER/WALL MIXER

PRODUCT CODE: RU780 MB
 FINISH: MATTE BLACK
 WELS: N/A

INFORMATION:

TEMPERATURE RATING: MIN 1° - MAX 75°
 PRESSURE RATING: MIN 150 kPa - MAX 500 kPa

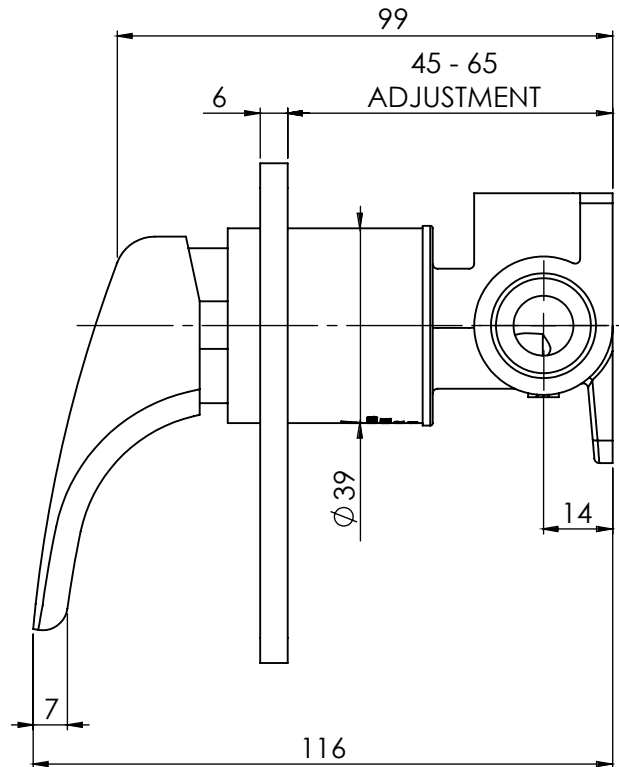
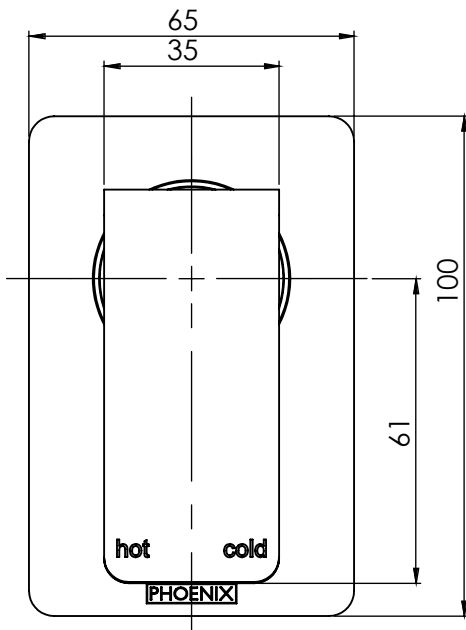


AVAILABLE IN:



CHROME MATTE BLACK BRUSHED NICKEL

FOR MORE INFORMATION VISIT www.phoenixtapware.com.au



PLEASE [CLICK HERE TO VIEW FULL WARRANTY](#)

While we aim to ensure the specifications shown are correct at time of printing, Phoenix Tapware reserves the right to make modifications without prior notice. Always use the physical product measurements for mark-ups and roughing-in as the line drawing shown may differ from the actual product over time. All measurements are shown in millimetres.

www.phoenixtapware.com.au
03 9780 4200



PHOENIX

SPECIFICATIONS

RUSH

SHOWER/WALL MIXER

PRODUCT CODE:

RU780 MB

FINISH:

MATTE BLACK

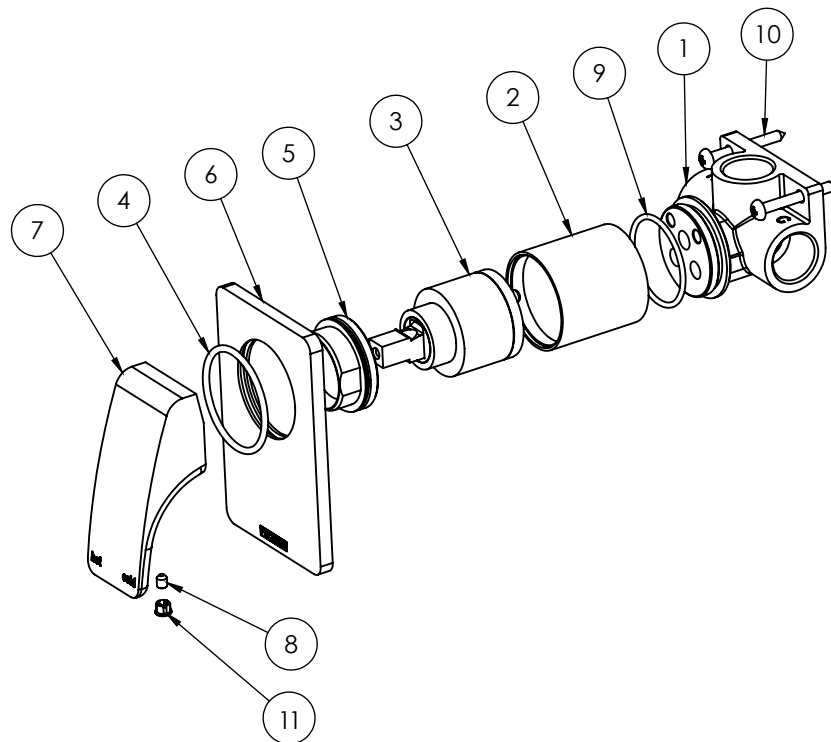
WELS:

N/A



PARTS LIST

1. MIXER BODY
2. MIXER SLEEVE
3. 35MM CARTRIDGE
4. O-RING 38X2.5
5. LOCKNUT DOME
6. BACKPLATE
7. MIXER HANDLE
8. GRUB SCREW M4X5MM
9. O-RING 33X2.0MM
10. SCREW
11. SCREW CAP



MAINTENANCE AND CARE:

- All surfaces should be cleaned with mild liquid detergent or soap and water.
- Do not use cream cleaners or citrus based cleaning products, as they are abrasive.
- Use of unsuitable cleaning agents may damage the surface. Any damage caused in this way will not be covered by warranty.

PACKAGING INCLUDES

- 1 x Shower / wall mixer
- 1 x Installation kit
- 1 x Installation instructions
- 1 x Warranty card

PLEASE [CLICK HERE TO VIEW FULL WARRANTY](#)

While we aim to ensure the specifications shown are correct at time of printing, Phoenix Tapware reserves the right to make modifications without prior notice. Always use the physical product measurements for mark-ups and roughing-in as the line drawing shown may differ from the actual product over time. All measurements are shown in millimetres.

Designed and Registered in Australia by Phoenix Industries Pty. Ltd

VI41217

www.phoenixtapware.com.au
03 9780 4200