



PHOENIX

SPECIFICATIONS

VIVID SLIMLINE

WALL TOP ASSEMBLIES

PRODUCT CODE:	VS060 MB
FINISH:	MATTE BLACK
WELS:	N/A
INFORMATION:	
MATERIAL:	BRASS
TEMPERATURE RATING:	MIN 1° - MAX 75°
PRESSURE RATING:	MIN 150 kPa - MAX 500 kPa

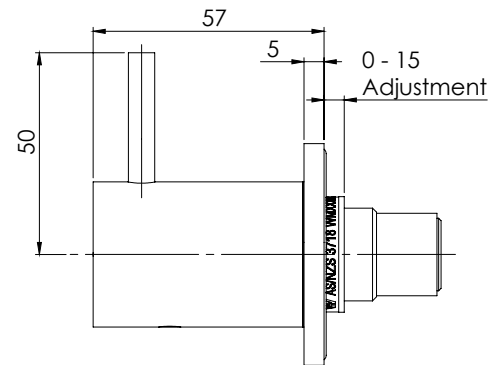
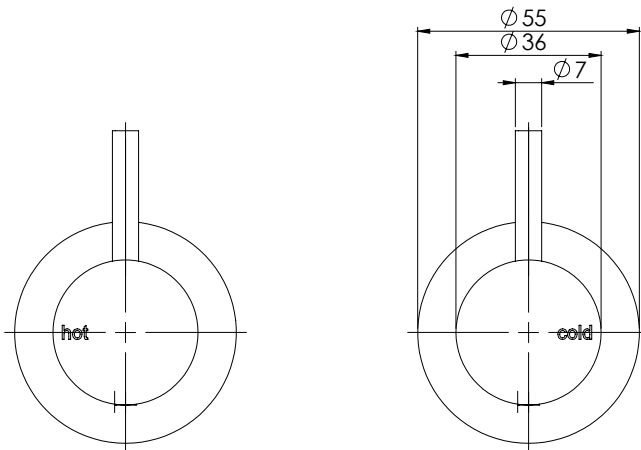


AVAILABLE IN:



CHROME MATTE BLACK

FOR MORE INFORMATION VISIT
www.phoenixtapware.com.au



PLEASE [CLICK HERE](#) TO VIEW FULL WARRANTY

While we aim to ensure the specifications shown are correct at time of printing, Phoenix Tapware reserves the right to make modifications without prior notice. Always use the physical product measurements for mark-ups and roughing-in as the line drawing shown may differ from the actual product over time. All measurements are shown in millimetres.

www.phoenixtapware.com.au
03 9780 4200



PHOENIX

SPECIFICATIONS

VIVID SLIMLINE

WALL TOP ASSEMBLIES

PRODUCT CODE:

VS060 MB

FINISH:

MATTE BLACK

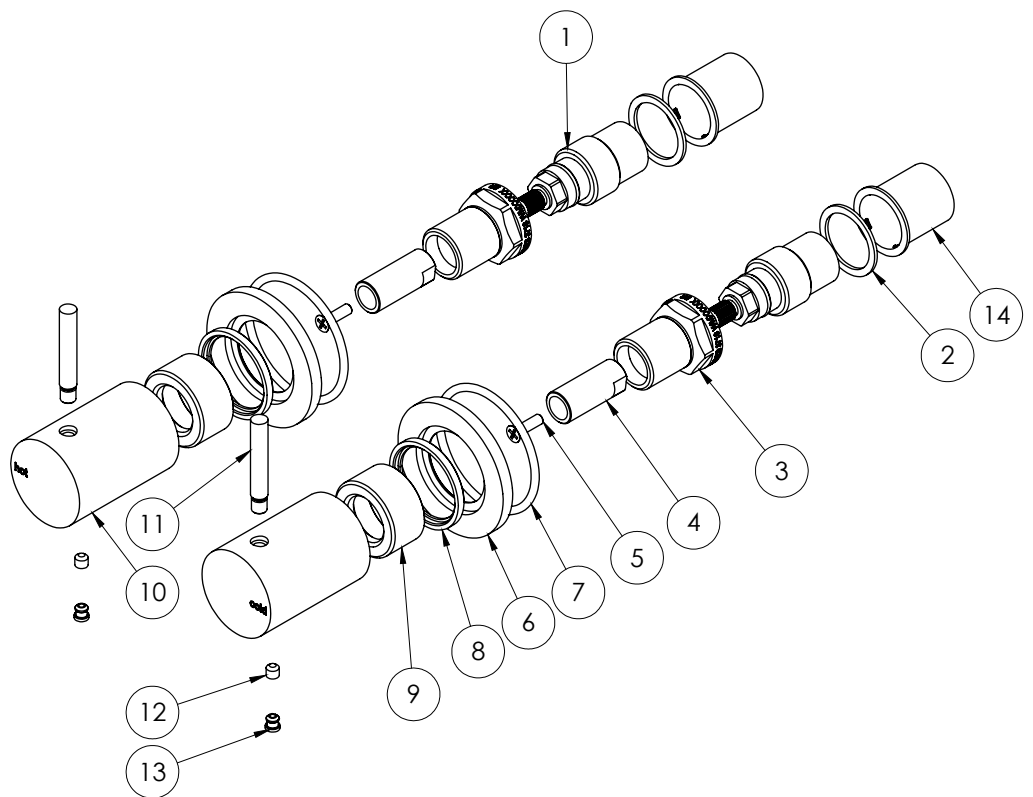
WELS:

N/A



PARTS LIST

1. CERAMIC 57MM CARTRIDGE
2. FIBRE WASHER
3. 33MM BONNET
4. CARTRIDGE EXTENSION
5. COUNTERSUNK SCREW
6. DRESS PLATE
7. O-RING 47X30MM
8. WASHER
9. MIXER LOCKNUT
10. MIXER HANDLE
11. PIN LEVER
12. GRUB SCREW M5X0.8MM
13. SCREW RUBBER CAP
14. CERAMIC CARTRIDGE COVER



MAINTENANCE AND CARE:

- All surfaces should be cleaned with mild liquid detergent or soap and water.
- Do not use cream cleaners or citrus based cleaning products, as they are abrasive.
- Use of unsuitable cleaning agents may damage the surface. Any damage caused in this way will not be covered by warranty.

PACKAGING INCLUDES

- 1 x Wall top assemblies
- 2 x Dress plates
- 1 x Installation kit
- 1 x Installation instructions
- 1 x Warranty card

PLEASE [CLICK HERE](#) TO VIEW FULL WARRANTY

While we aim to ensure the specifications shown are correct at time of printing, Phoenix Tapware reserves the right to make modifications without prior notice. Always use the physical product measurements for mark-ups and roughing-in as the line drawing shown may differ from the actual product over time. All measurements are shown in millimetres.

www.phoenixtapware.com.au
03 9780 4200