



PHOENIX

SPECIFICATIONS

VIVID SLIMLINE

HOB SINK OUTLET 220MM GOOSENECK

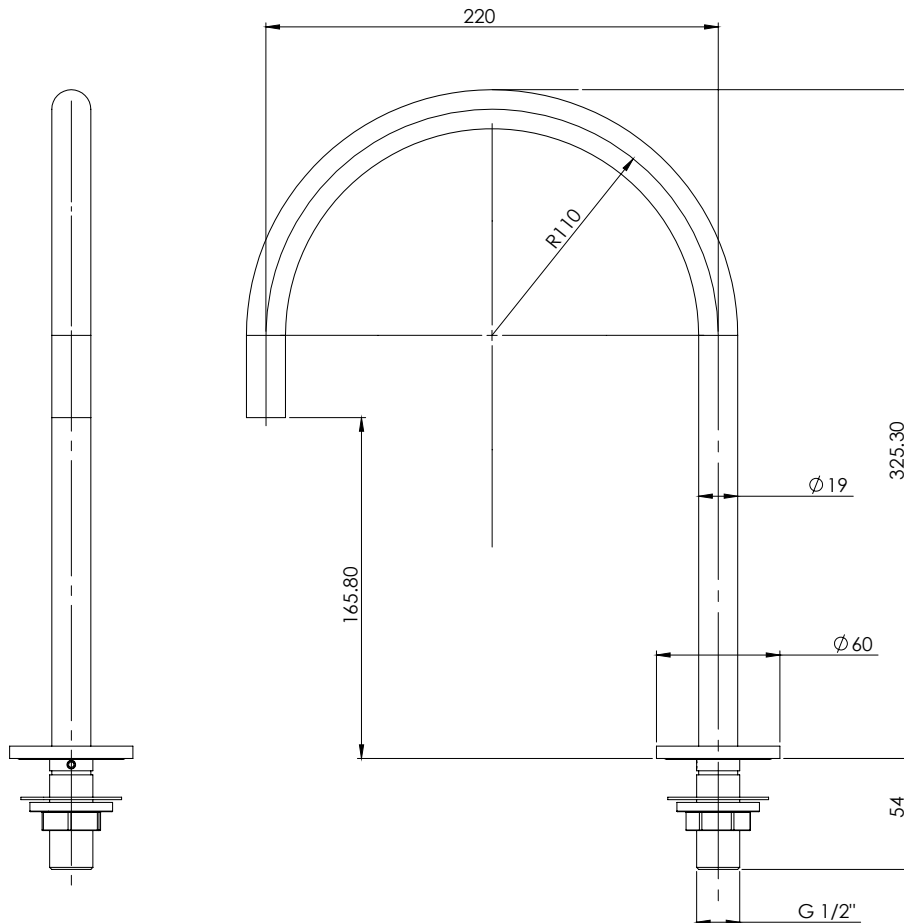
PRODUCT CODE: VS0720-10
 FINISH: MATTE BLACK
 WELS: 4 STAR - 7.5 LT/MIN

INFORMATION:

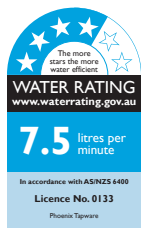
TEMPERATURE RATING: MIN 1° - MAX 75°
 PRESSURE RATING: MIN 150 kPa - MAX 500 kPa



AVAILABLE IN:



FOR MORE INFORMATION VISIT
www.phoenixtapware.com.au



PLEASE [CLICK HERE](#) TO VIEW FULL WARRANTY

While we aim to ensure the specifications shown are correct at time of printing, Phoenix Tapware reserves the right to make modifications without prior notice. Always use the physical product measurements for mark-ups and roughing-in as the line drawing shown may differ from the actual product over time. All measurements are shown in millimetres.

www.phoenixtapware.com.au
03 9780 4200



PHOENIX

SPECIFICATIONS

VIVID SLIMLINE

HOB SINK OUTLET 220MM GOOSENECK

PRODUCT CODE:

VS0720-10

FINISH:

MATTE BLACK

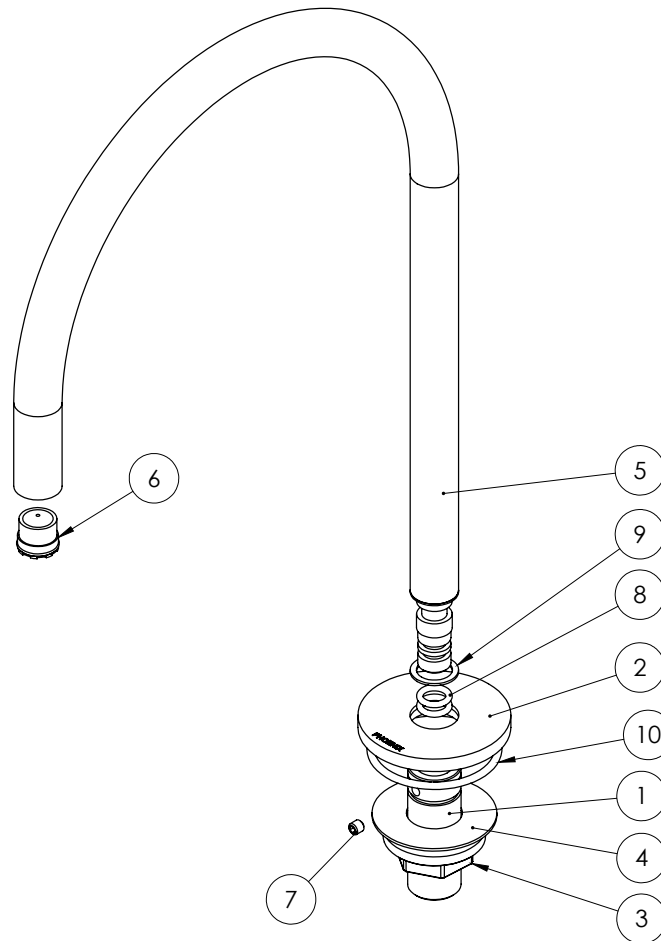
WELS:

4 STAR - 7.5 LT/MIN



PARTS LIST

1. SWIVEL TAIL
2. DRESS PLATE
3. LOCKNUT PLASTIC
4. NYLON WASHER
5. 220MM SPOUT
6. AERATOR
7. GRUB SCREW M5X5
8. O-RING 9X2.5
9. BEARING
10. O-RING



MAINTENANCE AND CARE:

- All surfaces should be cleaned with mild liquid detergent or soap and water.
- Do not use cream cleaners or citrus based cleaning products, as they are abrasive.
- Use of unsuitable cleaning agents may damage the surface. Any damage caused in this way will not be covered by warranty.

PACKAGING INCLUDES

- 1 x Hob sink outlet
- 1 x Installation instructions
- 1 x Warranty card

PLEASE [CLICK HERE](#) TO VIEW FULL WARRANTY

While we aim to ensure the specifications shown are correct at time of printing, Phoenix Tapware reserves the right to make modifications without prior notice. Always use the physical product measurements for mark-ups and roughing-in as the line drawing shown may differ from the actual product over time. All measurements are shown in millimetres.

www.phoenixtapware.com.au
03 9780 4200