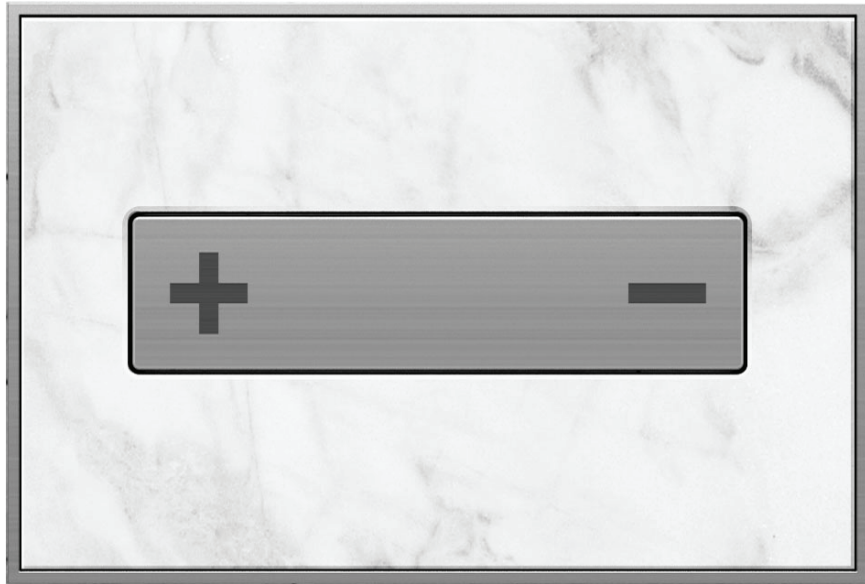


STUDIO
BAGNO



OCEANIA MIA

STYLE

Customizable Push Plates

CODE

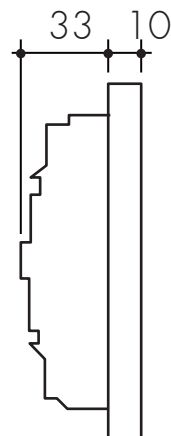
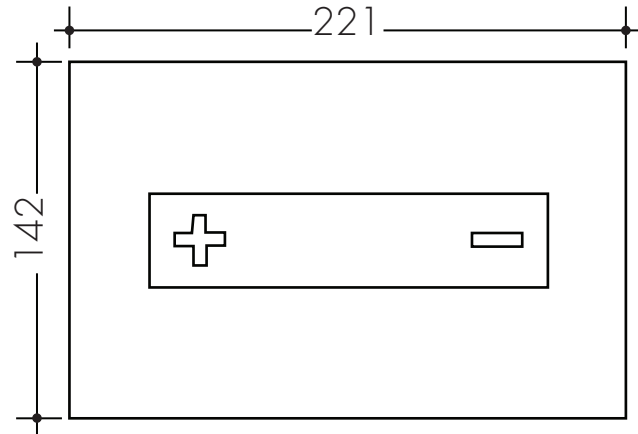
OL0054563

MATERIAL

Satin Stainless Steel

CAPACITY

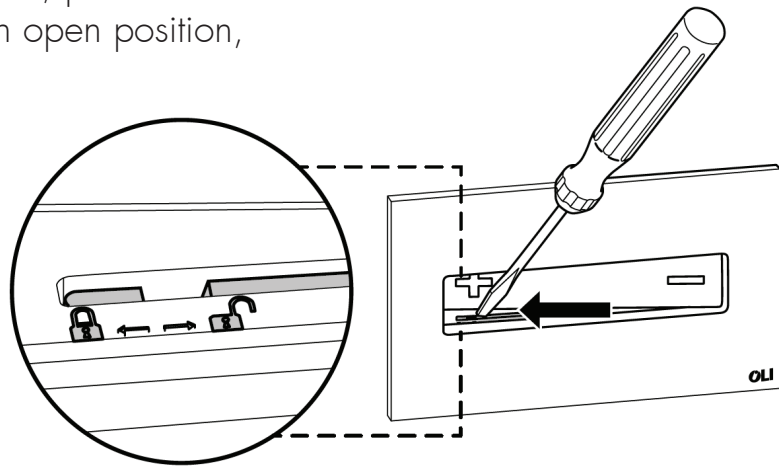
4.5/3 Litre Dual Flush



INSTALLATION INSTRUCTIONS

MIA can be personalized with several materials: ceramic, marble, wood, or any other material. MIA push plate is supplied with a high resistance double-sided tape for an easy application of the chosen frontal finishing.

During maintenance, in order to have access to the internal components of the cistern, push the button and move the locking system in open position, as showed in the image.



This push plate uses a “Segull wing” opening, which allows an easy opening and prevents from falls and damages during installation and maintenance.

