



# PHOENIX

## SPECIFICATIONS

**TEEL**

### SINK MIXER 200MM SQUARELINE

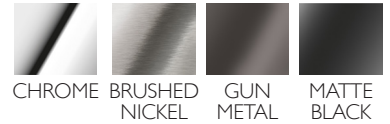
PRODUCT CODE: 118-7300-30  
 FINISH: GUN METAL  
 WELS: 5 STAR - 6.0 LT/MIN

#### INFORMATION:

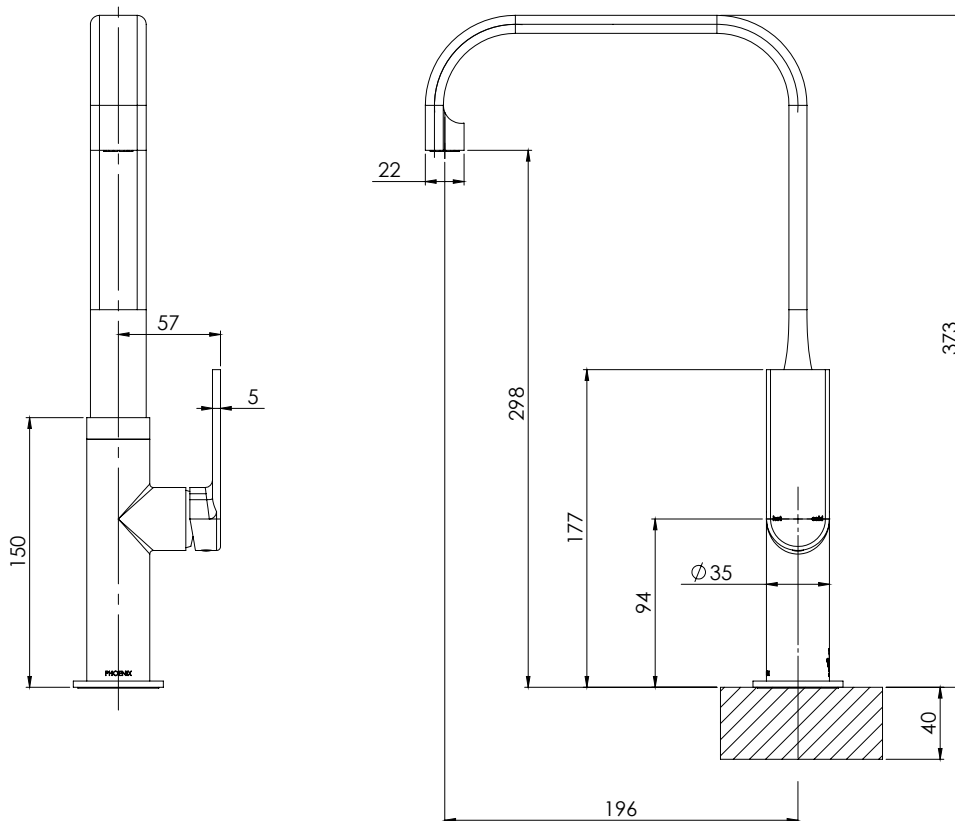
TEMPERATURE RATING: MIN 1° - MAX 75°  
 PRESSURE RATING: MIN 150 kPa - MAX 500 kPa



AVAILABLE IN:



FOR MORE INFORMATION VISIT  
[www.phoenixtapware.com.au](http://www.phoenixtapware.com.au)



PLEASE [CLICK HERE TO VIEW FULL WARRANTY](#)

While we aim to ensure the specifications shown are correct at time of printing, Phoenix Tapware reserves the right to make modifications without prior notice. Always use the physical product measurements for mark-ups and roughing-in as the line drawing shown may differ from the actual product over time. All measurements are shown in millimetres. Some colours may vary across product types due to differing construction materials. Printed images are a representation only and the colour or finish may vary from the actual product.  
 A Registered Design and Trademark of Phoenix Industries Pty. Ltd

[www.phoenixtapware.com.au](http://www.phoenixtapware.com.au)  
 03 9780 4200



# PHOENIX

## SPECIFICATIONS

### TEEL

### SINK MIXER 200MM SQUARELINE

PRODUCT CODE:

118-7300-30

FINISH:

GUN METAL

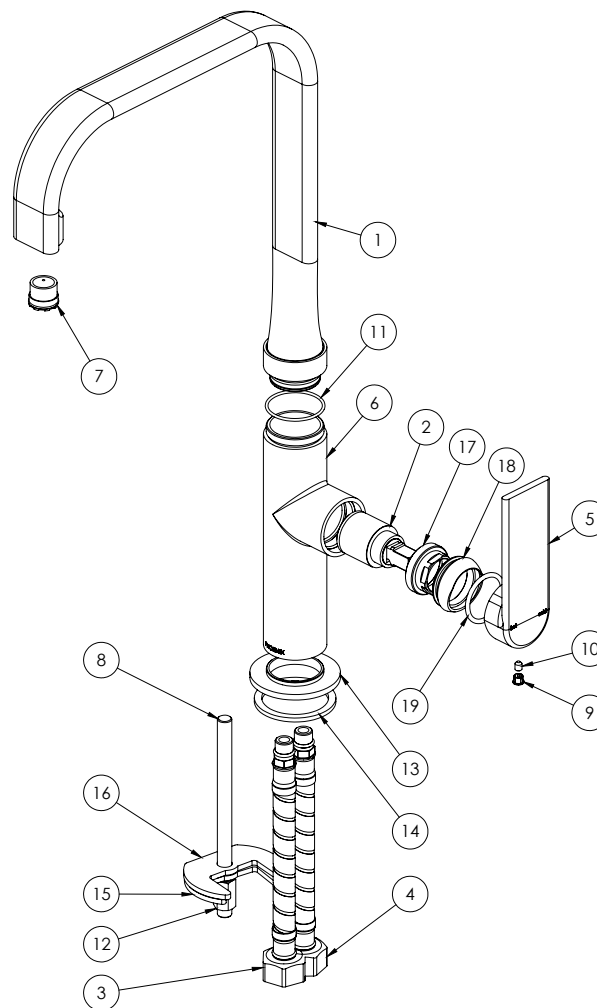
WELS:

5 STAR - 6.0 LT/MIN



#### PARTS LIST

1. SPOUT ASSY
2. 25MM CARTRIDGE
3. FLEXIBLE HOSE 450MM HOT
4. FLEXIBLE HOSE 450MM COLD
5. 118-9001-00 HANDLE
6. MIXER BODY
7. AERATOR
8. M8 THREADED ROD
9. SCREW CAP
10. GRUB SCREW M4X5
11. O-RING 30X1.5
12. M8 THREADED NUT
13. DRESS PLATE
14. RUBBER WASHER
15. FIXING PLATE
16. RUBBER GASKET
17. LOCKNUT
18. DOME
19. O-RING 25X2.5



#### MAINTENANCE AND CARE:

- All surfaces should be cleaned with mild liquid detergent or soap and water.
- Do not use cream cleaners or citrus based cleaning products, as they are abrasive.
- Use of unsuitable cleaning agents may damage the surface. Any damage caused in this way will not be covered by warranty.

#### PACKAGING INCLUDES

- 1 x Sink mixer
- 1 x Installation kit
- 1 x 450mm braided flexible cold hose
- 1 x 450mm braided flexible hot hose
- 1 x Dress ring
- 1 x Installation instructions
- 1 x Warranty card

PLEASE [CLICK HERE](#) TO VIEW FULL WARRANTY

While we aim to ensure the specifications shown are correct at time of printing, Phoenix Tapware reserves the right to make modifications without prior notice. Always use the physical product measurements for mark-ups and roughing-in as the line drawing shown may differ from the actual product over time. All measurements are shown in millimetres. Some colours may vary across product types due to differing construction materials. Printed images are a representation only and the colour or finish may vary from the actual product.

A Registered Design and Trademark of Phoenix Industries Pty, Ltd

V010219

[www.phoenixtapware.com.au](http://www.phoenixtapware.com.au)

03 9780 4200