



PHOENIX

SPECIFICATIONS

TEEL

SHOWER / BATH DIVERTER MIXER

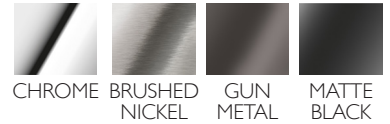
PRODUCT CODE: 118-7910-10
 FINISH: MATTE BLACK
 WELS: N/A

INFORMATION:

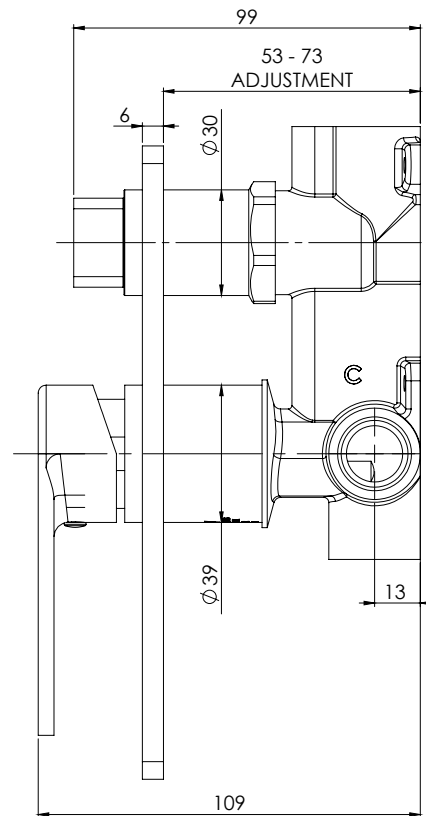
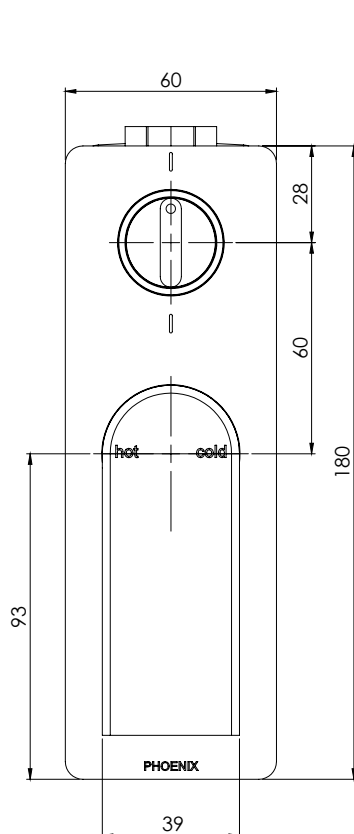
TEMPERATURE RATING: MIN 1° - MAX 75°
 PRESSURE RATING: MIN 150 kPa - MAX 500 kPa



AVAILABLE IN:



FOR MORE INFORMATION VISIT
www.phoenixtapware.com.au



PLEASE [CLICK HERE TO VIEW FULL WARRANTY](#)

While we aim to ensure the specifications shown are correct at time of printing, Phoenix Tapware reserves the right to make modifications without prior notice. Always use the physical product measurements for mark-ups and roughing-in as the line drawing shown may differ from the actual product over time. All measurements are shown in millimetres. Some colours may vary across product types due to differing construction materials. Printed images are a representation only and the colour or finish may vary from the actual product.
 A Registered Design and Trademark of Phoenix Industries Pty. Ltd

www.phoenixtapware.com.au
 03 9780 4200



TEEL

SHOWER / BATH DIVERter MIXER

PRODUCT CODE:

118-7910-10

FINISH:

MATTE BLACK

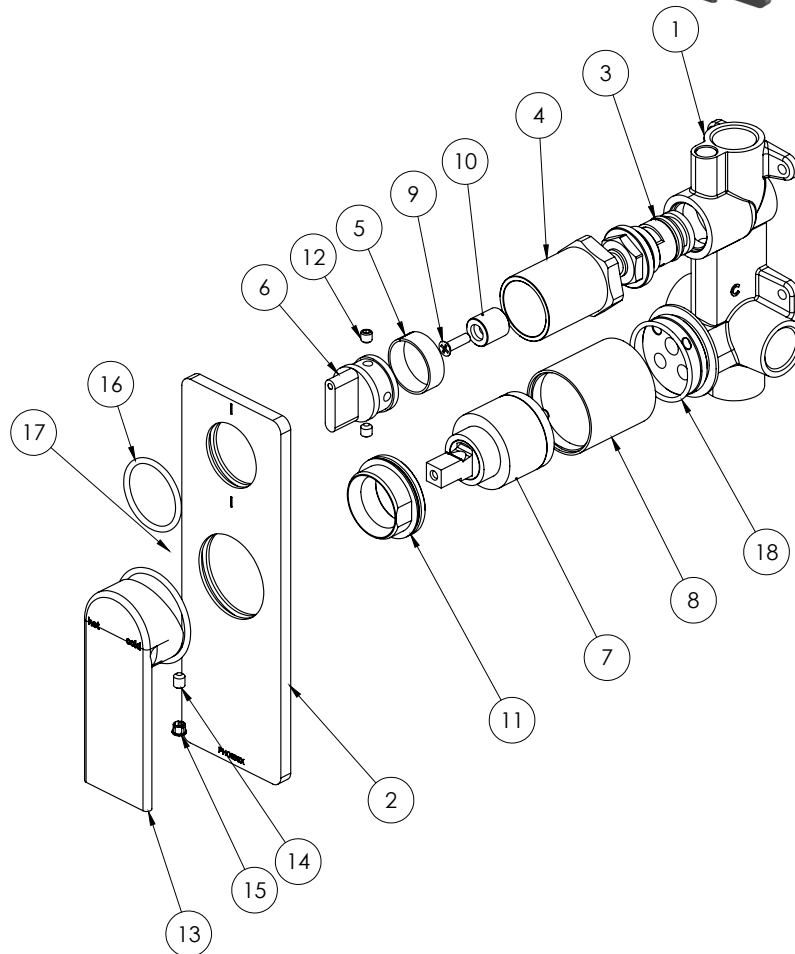
WELS:

N/A



PARTS LIST

1. DIVERter BODY
2. 118-9012-10 DRESS PLATE
3. DIVERter
4. DIVERter SLEEVE
5. NYLON BEARING
6. DIVERter BUTTON
7. 35MM CARTRIDGE
8. SLEEVE
9. SCREW
10. SPINDLE ADAPTOR
11. DOME
12. GRUB SCREW M5X5
13. 118-9002-10 HANDLE
14. GRUB SCREW M5X6
15. M5 M4 SCREW CAP
16. O-RING 29 X2.5
17. O-RING 39X2.5
18. O-RING 33X2.0



MAINTENANCE AND CARE:

- All surfaces should be cleaned with mild liquid detergent or soap and water.
- Do not use cream cleaners or citrus based cleaning products, as they are abrasive.
- Use of unsuitable cleaning agents may damage the surface. Any damage caused in this way will not be covered by warranty.

PACKAGING INCLUDES

- 1 x Diverter Body
- 1 x Handle
- 1 x Dress plate
- 1 x Installation kit
- 1 x Installation instructions
- 1 x Warranty card

PLEASE [CLICK HERE TO VIEW FULL WARRANTY](#)

While we aim to ensure the specifications shown are correct at time of printing, Phoenix Tapware reserves the right to make modifications without prior notice. Always use the physical product measurements for mark-ups and roughing-in as the line drawing shown may differ from the actual product over time. All measurements are shown in millimetres. Some colours may vary across product types due to differing construction materials. Printed images are a representation only and the colour or finish may vary from the actual product.

A Registered Design and Trademark of Phoenix Industries Pty. Ltd

VI80119

www.phoenixtapware.com.au

03 9780 4200