



# PHOENIX

## SPECIFICATIONS

### VIVID SLIMLINE

### WALL BASIN MIXER SET 230MM

PRODUCT CODE:	VS7830-00
FINISH:	CHROME
WELS:	5 STAR - 5.0 LT/MIN
<b>INFORMATION:</b>	
TEMPERATURE RATING:	MIN 1° - MAX 75°
PRESSURE RATING:	MIN 150 kPa - MAX 500 kPa

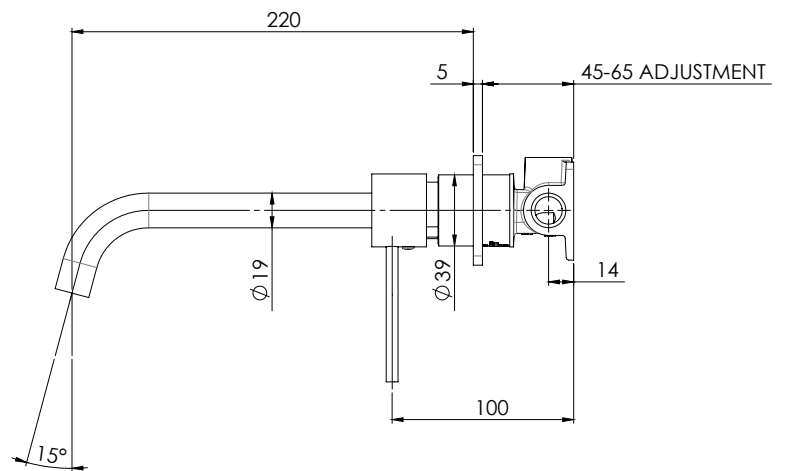
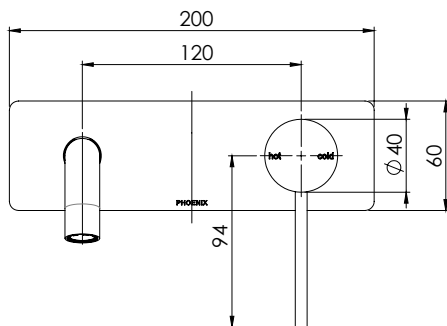


AVAILABLE IN:



CHROME BRUSHED NICKEL GUN METAL MATTE BLACK BRUSHED GOLD

FOR MORE INFORMATION VISIT [www.phoenixtapware.com.au](http://www.phoenixtapware.com.au)



PLEASE [CLICK HERE TO VIEW FULL WARRANTY](#)

While we aim to ensure the specifications shown are correct at time of printing, Phoenix Tapware reserves the right to make modifications without prior notice. Always use the physical product measurements for mark-ups and roughing-in as the line drawing shown may differ from the actual product over time. All measurements are shown in millimetres. Some colours may vary across product types due to differing construction materials. Printed images are a representation only and the colour or finish may vary from the actual product.

[www.phoenixtapware.com.au](http://www.phoenixtapware.com.au)  
03 9780 4200



# PHOENIX

## SPECIFICATIONS

### VIVID SLIMLINE

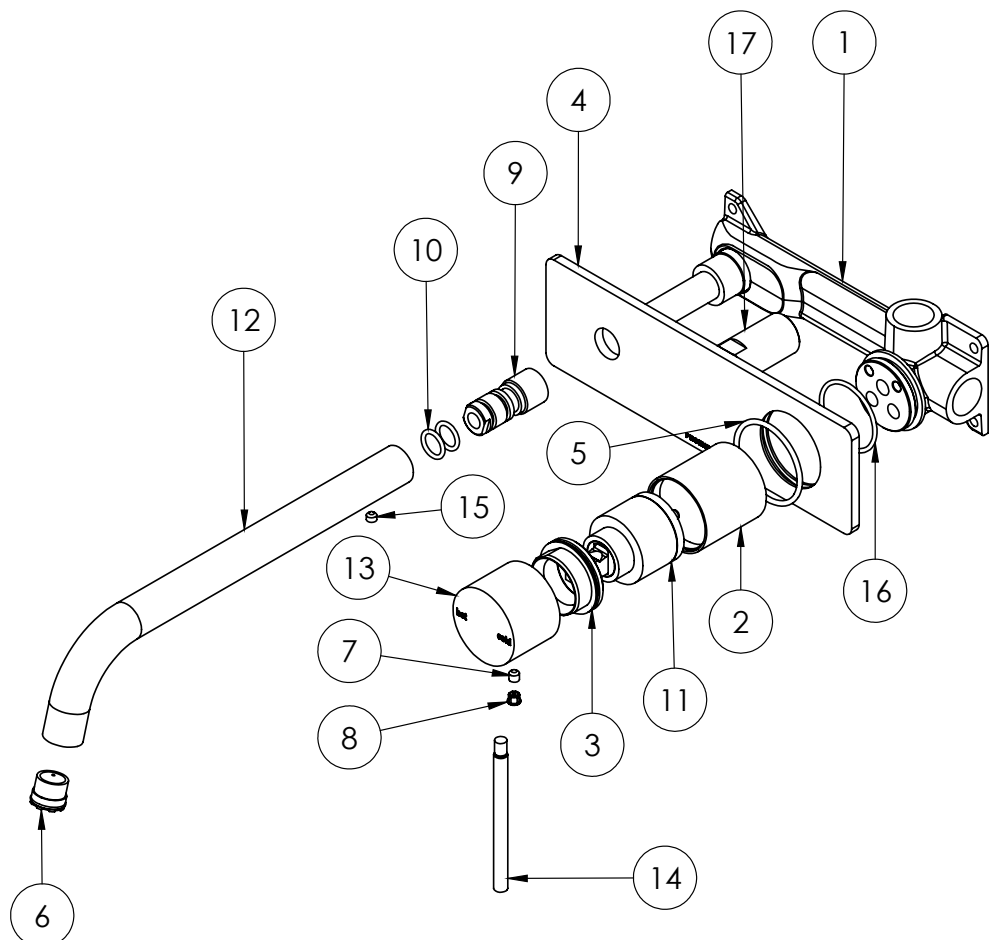
### WALL BASIN MIXER SET 230MM

PRODUCT CODE: VS7830-00  
 FINISH: CHROME  
 WELS: 5 STAR - 5.0 LT/MIN



#### PARTS LIST

1. WALL MIXER BREACH
2. MIXER BODY
3. MIXER LOCKNUT
4. BACK PLATE
5. O-RING 39X2.5
6. AERATOR
7. GRUB SCREW M5X5
8. SCREW CAP
9. SPOUT ADAPTOR
10. O-RING 11X2.0
11. 35MM CARTRIDGE
12. CURVED SPOUT 230MM
13. MIXER HANDLE
14. PIN LEVER
15. GRUB SCREW M5X4
16. O-RING 33X2.0
17. MIXER SET TEST CAP



#### MAINTENANCE AND CARE:

- All surfaces should be cleaned with mild liquid detergent or soap and water.
- Do not use cream cleaners or citrus based cleaning products, as they are abrasive.
- Use of unsuitable cleaning agents may damage the surface. Any damage caused in this way will not be covered by warranty.

#### PACKAGING INCLUDES

- 1 x Wall basin set 230mm curved
- 1 x Installation kit
- 1 x Installation instructions
- 1 x Warranty card

PLEASE [CLICK HERE TO VIEW FULL WARRANTY](#)

While we aim to ensure the specifications shown are correct at time of printing, Phoenix Tapware reserves the right to make modifications without prior notice. Always use the physical product measurements for mark-ups and roughing-in as the line drawing shown may differ from the actual product over time. All measurements are shown in millimetres. Some colours may vary across product types due to differing construction materials. Printed images are a representation only and the colour or finish may vary from the actual product.

[www.phoenixtapware.com.au](http://www.phoenixtapware.com.au)  
 03 9780 4200