

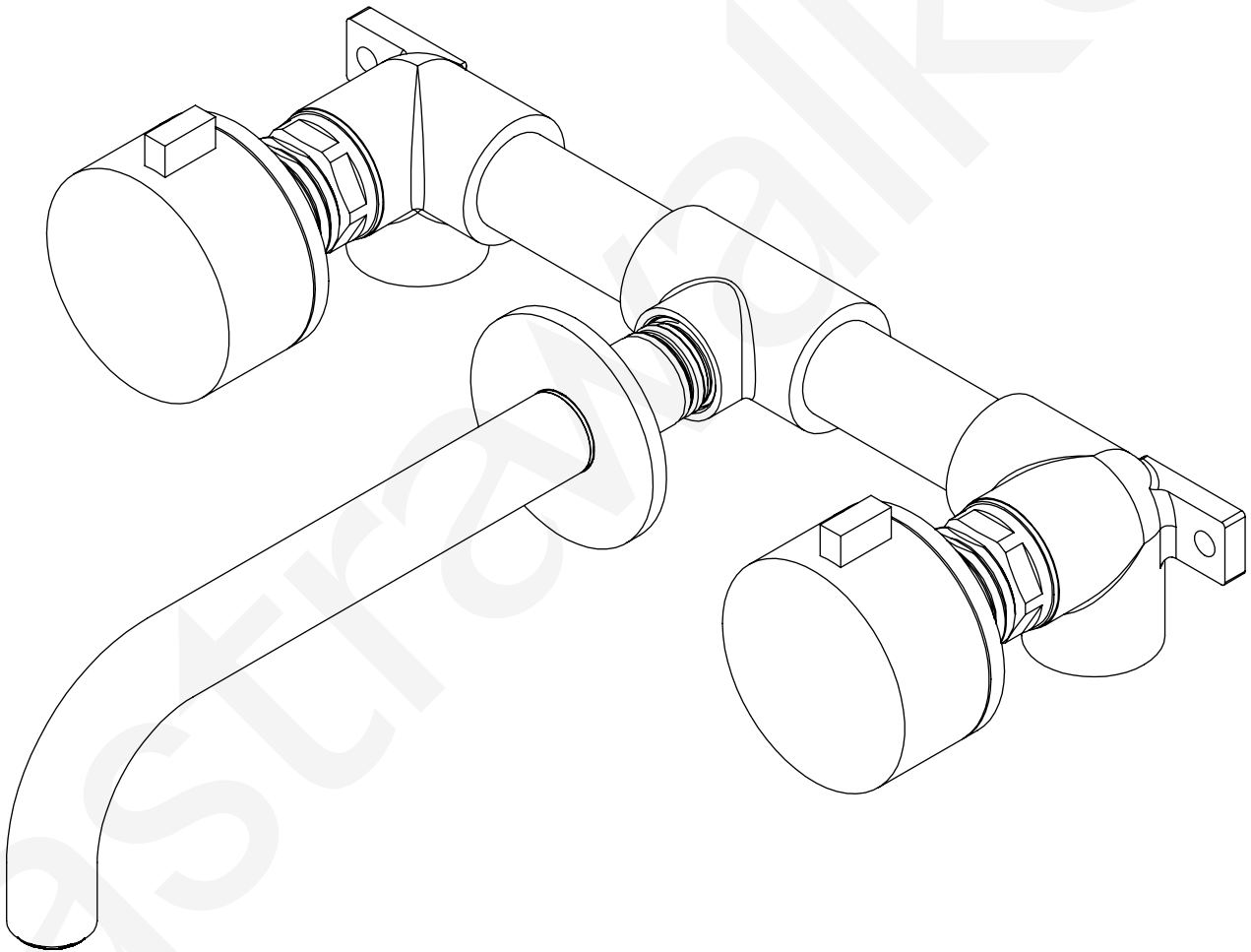
# ASSEMBLE

The logo consists of the lowercase letters 'aw' in a white, sans-serif font, with a small 'TM' trademark symbol to the upper right. It is positioned on a solid red rectangular background.

A81.06.V2

## Installation Instructions

- Tapware to be installed by a licenced plumber in accordance with AS/NZS 3500:2003
- Recommended working water pressure 150 - 500kPa
- Maximum water temperature is 65 deg C
- After completing the installation check function of tapware and ensure no water leaks.



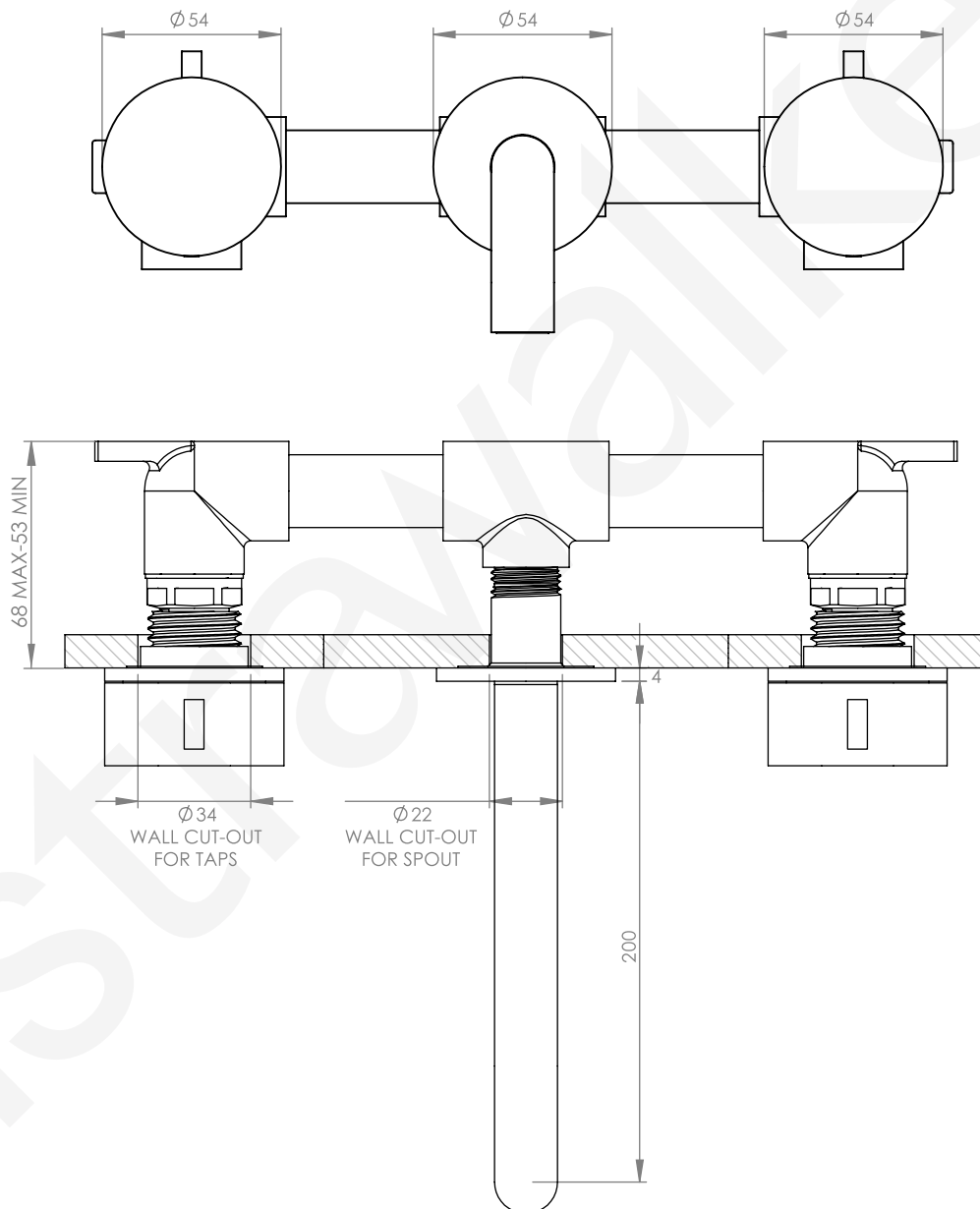
# ASSEMBLE



A81.06.V2

## Installation Instructions

Install the wall breach supplied to a secure nogging at the correct depth as shown in the drawing below. Ensure the breach is square and parallel between the wall studs. To allow the tapware to fit correctly the thickness of the finished wall surface must be calculated prior to 'rough-in'.



**NOTE :** Seat of Breach Body extensions are NOT recommended in conjunction with this Tapware. Failure to adhere will void warranty.

# ASSEMBLE



A81.06.V2

## Installation Instructions

Ensure water lines are completely flushed prior to fitting of spindles.

Install the spindles hand-tight until the seal of the spindle firmly makes contact with the seat. Do not over-tighten. Do not tighten seal using the spindle.

Fit washer and screw down locknut over the spindle using an appropriate tube spanner and tighten.

**NOTE:** Over-tightening the spindles could damage the ceramic discs and in turn, void the manufacturer's warranty.

Seal the wall around the spindle and fit the flange to meet the finished wall surface.

Remove handle insert from spindle, and cut spindle to suit installation.

Re-fit and tighten the handle insert to spindle.

Attach handle to the handle insert and adjust into correct position, and tighten well using an Allen Key.

