

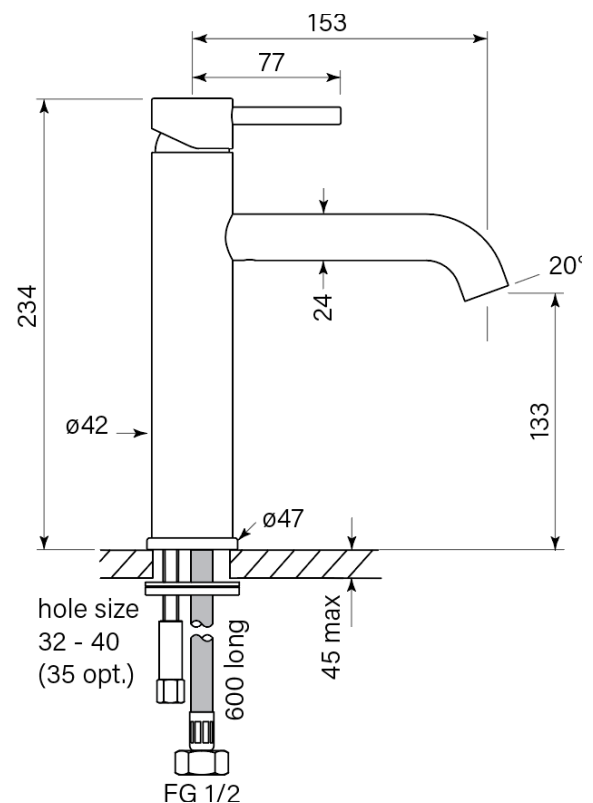
Product Specifications

30635-11 Pegasi M Basin Mixer, Mid 133h, Chrome



Features:

- Built in Australia
- Reach 153mm
- 2 stage flow step valve
- Recessed aerator
- Tap hole 32-40mm
- M series
- Suits semi recessed basins



WaterMark

WM-022284

