

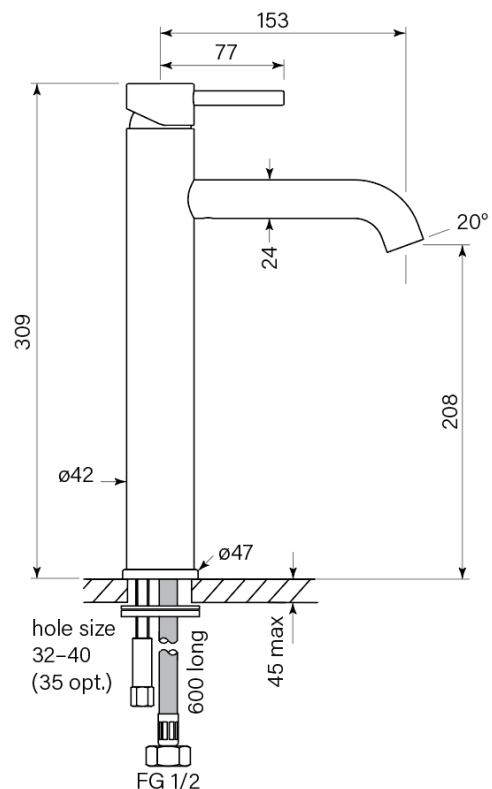
Product Specifications

30636-11 Pegasi M Basin Mixer, Tall 208h, Chrome



Features:

- Built in Australia
- Reach 153mm
- 2 stage flow step valve
- Recessed aerator
- Tap hole 32-40mm
- Suits vessel basins
- M series



WaterMark

WM-022284

