

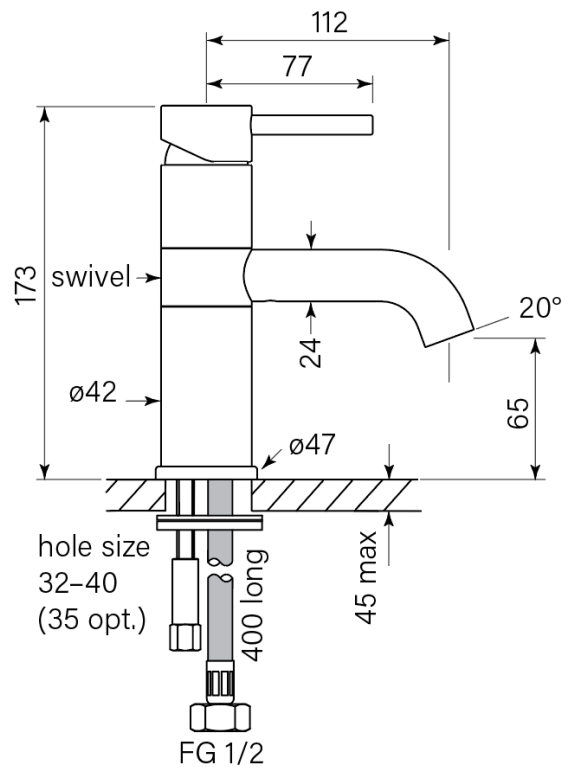
Product Specifications

30637-11 Pegasi M Basin Mixer, Swivel, Chrome



Features:

- Built in Australia
- Swivel spout reach 112mm
- 2 stage flow step valve
- Recessed aerator
- Tap hole 32-40mm
- M series



WaterMark

WM-022284

