



PHOENIX

SPECIFICATIONS

ZIMI

SINK MIXER 200MM (NO HANDLE)

PRODUCT CODE: 116-7303-10
 FINISH: MATTE BLACK
 WELS: 5 STAR - 6.0 LT/MIN

INFORMATION:

TEMPERATURE RATING: MIN 1° - MAX 75°
 PRESSURE RATING: MIN 150 kPa - MAX 500 kPa

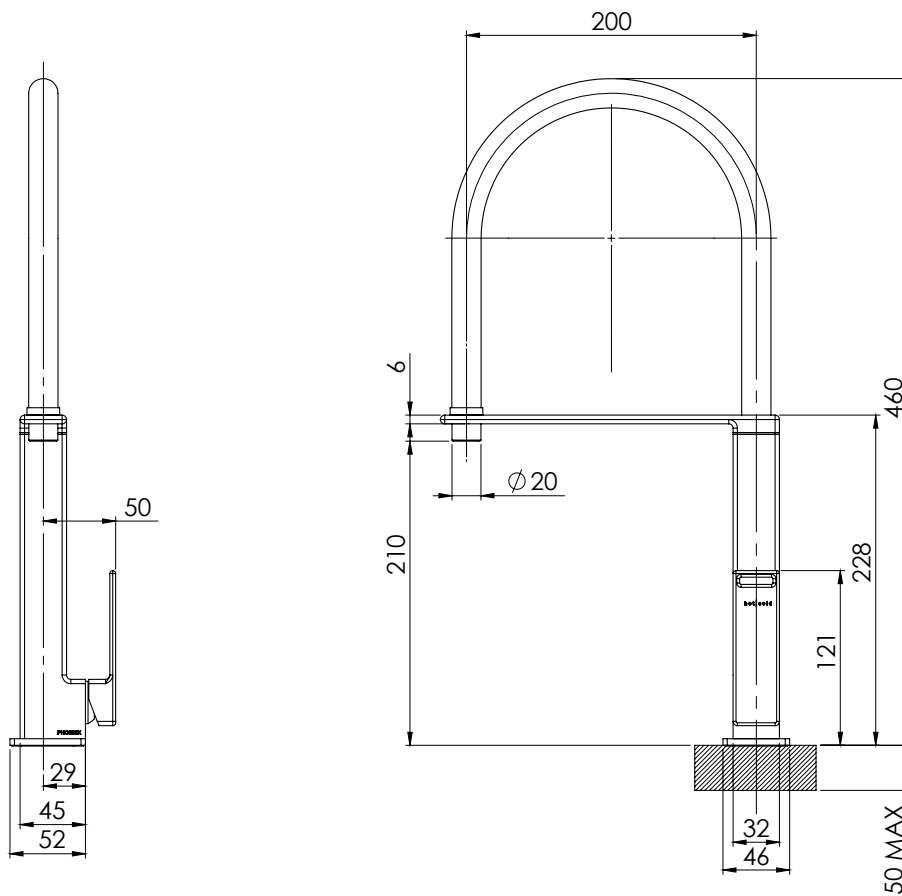


AVAILABLE IN:



CHROME BRUSHED NICKEL MATTE BLACK

FOR MORE INFORMATION VISIT
www.phoenixtapware.com.au



PLEASE [CLICK HERE TO VIEW FULL WARRANTY](#)

While we aim to ensure the specifications shown are correct at time of printing, Phoenix Tapware reserves the right to make modifications without prior notice. Always use the physical product measurements for mark-ups and roughing-in as the line drawing shown may differ from the actual product over time. All measurements are shown in millimetres. Some colours may vary across product types due to differing construction materials. Printed images are a representation only and the colour or finish may vary from the actual product.

A Registered Design and Trademark of Phoenix Industries Pty. Ltd

V210319

www.phoenixtapware.com.au
 03 9780 4200



PHOENIX

SPECIFICATIONS

ZIMI

SINK MIXER 200MM (NO HANDLE)

PRODUCT CODE:

116-7303-10

FINISH:

MATTE BLACK

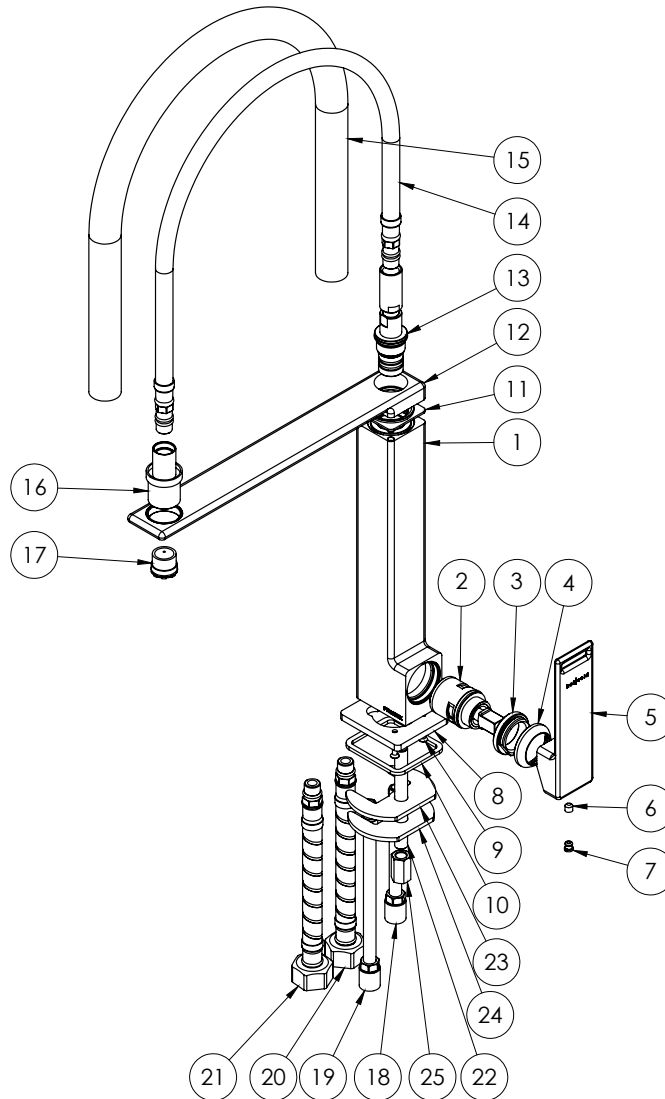
WELS:

5 STAR - 6.0 LT/MIN



PARTS LIST

1. MIXER BODY
2. 25MM CARTRIDGE
3. LOCKNUT
4. DOMME
5. MIXER HANDLE (NOT INCLUDED)
6. GRUB SCREW CAP M5X5
7. RUBBER SCREW CAP
8. DRESS PLATE
9. SCREW M3X8
10. GASKET
11. SQUARE GASKET
12. RETAINER SWIVEL ASSY
13. SHAFT ASSEMBLY
14. FLEXIBLE HOSE
15. RUBBER TUBE
16. AERATOR RETAINER
17. AERATOR
18. HOSE EXTENSION ASSY COLD
19. HOSE EXTENSION ASSY HOT
20. FLEXIBLE HOSE 450MM HOT
21. FLEXIBLE HOSE 450MM COLD
22. M8 THREADED ROD
23. RUBBER GASKET
24. FIXING PLATE
25. M8 THREADED NUT



MAINTENANCE AND CARE:

- All surfaces should be cleaned with mild liquid detergent or soap and water.
- Do not use cream cleaners or citrus based cleaning products, as they are abrasive.
- Use of unsuitable cleaning agents may damage the surface. Any damage caused in this way will not be covered by warranty.

PACKAGING INCLUDES

- 1 x Sink mixer (no handle)
- 1 x 450mm braided flexible cold hose
- 1 x 450mm braided flexible hot hose
- 1 x Installation kit
- 1 x Installation instructions
- 1 x Warranty card

PLEASE [CLICK HERE](#) TO VIEW FULL WARRANTY

While we aim to ensure the specifications shown are correct at time of printing, Phoenix Tapware reserves the right to make modifications without prior notice. Always use the physical product measurements for mark-ups and roughing-in as the line drawing shown may differ from the actual product over time. All measurements are shown in millimetres. Some colours may vary across product types due to differing construction materials. Printed images are a representation only and the colour or finish may vary from the actual product.

A Registered Design and Trademark of Phoenix Industries Pty, Ltd

V210319

www.phoenixtapware.com.au

03 9780 4200