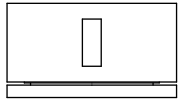
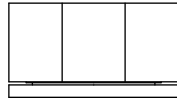


A81.49
WALL TAP SET

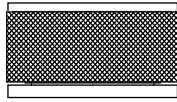
STANDARD WITH INDENT HANDLE
OTHER LEVER HANDLE OPTIONS



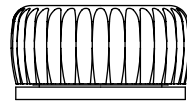
.V2 PIN HANDLE



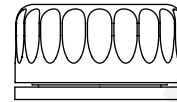
.V3 WHITE CARRARA MARBLE
.V4 BLACK MARQUINA MARBLE



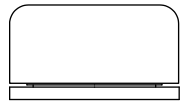
.V5 KNURLED



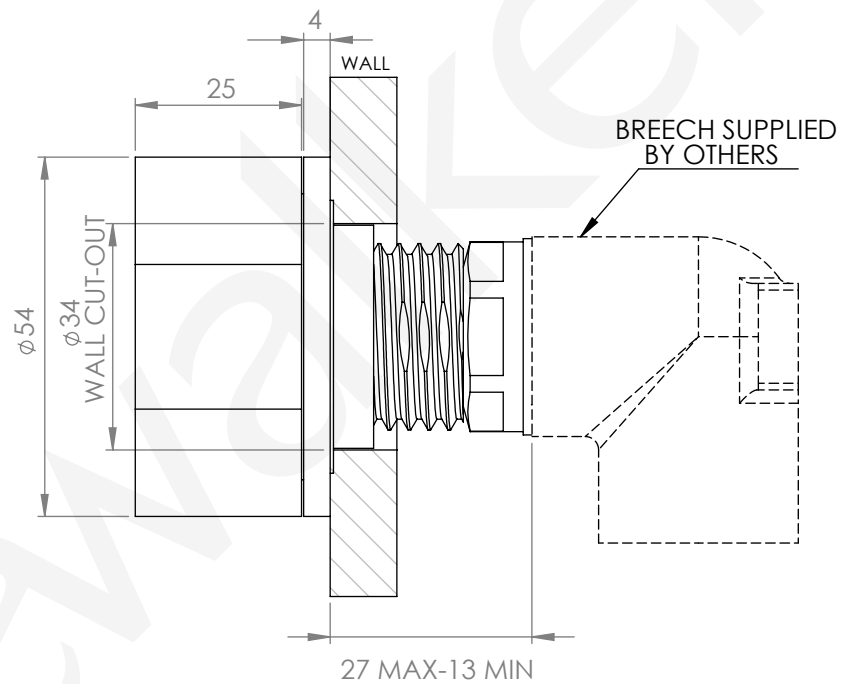
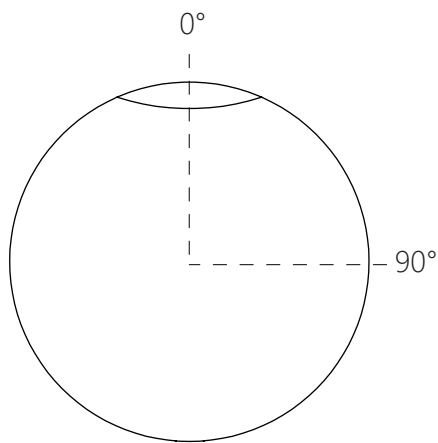
.V6 REEDED



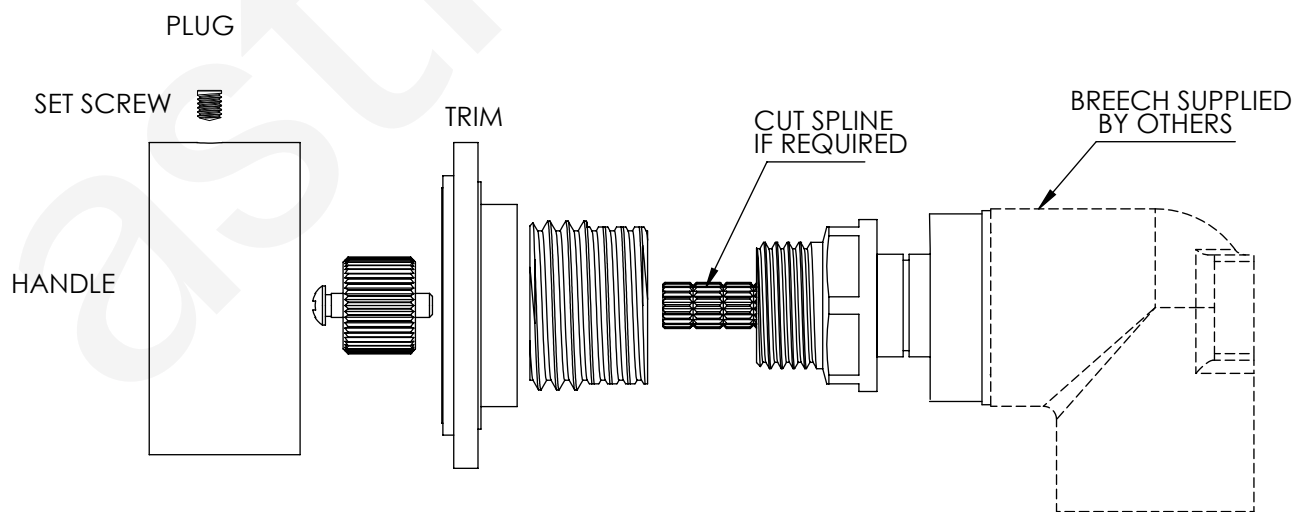
.V7 FLUTED



.V8 ROUND DIAL



IMPORTANT : Front face of inwall body to finished wall face must be minimum 13mm to maximum 27mm



EXPLODED VIEW