




Model Code: NQ180

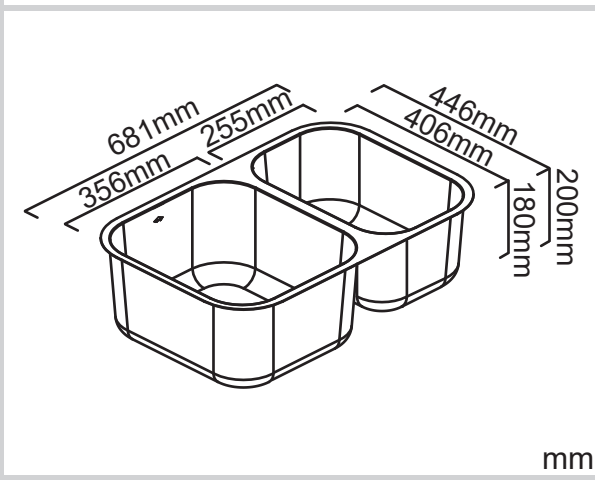
Included Accessories

 6020	 ICC12	 UMD8
 ADT1	 WKEX	

Optional Accessories

 SBCB		

Dimensions



Specifications

Description	Double bowl, Inset/Undermount Sink
Overall Sink Size	681mm x 446mm x 200mm deep
Bowl Dimensions	356mm x 406mm x 180mm deep 255mm x 406mm x 200mm deep
Drainer Length	N/A
Technic	Press
Material	Stainless steel SUS304

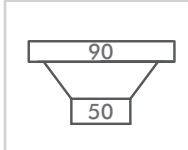
Installation

Fixings	Inset & Undermount clips supplied
Template	Supplied
Min Cabinet Size	800mm
Waste Holes	2 x 90mm round Compatible with waste disposal

SURFACE FINISH



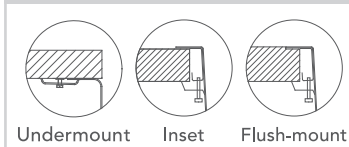
WASTE KIT



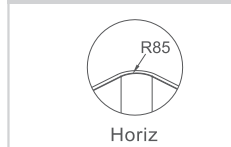
MATERIAL



INSTALLATION OPTIONS



PROFILE



Plumbing

Waste Fittings	2 x (90mm x 2") basket waste included
Overflow	Available, conditions apply

Packaging

Carton Type	EPS protection & individual carton
Gross Weight	6.2Kg
Carton Size	740mm x 505mm x 295mm
Pack QTY	1

Abey are Australia's leaders in sinkware, designing and manufacturing to the world's highest quality specifications as well as sourcing and bringing you Europe's very best, leading edge designs – practical, affordable, inspirational, stylish, timeless or cutting edge. When you buy an Abey stainless steel sink you receive the highest quality and 25 year warranty. Abey and the manufacturer are continually seeking ways to improve the design specifications, aesthetic and production techniques of the products. As a result, alterations to the specifications and dimensions of the products and designs occur continually.