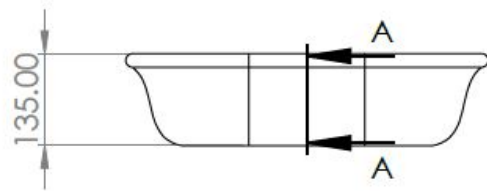
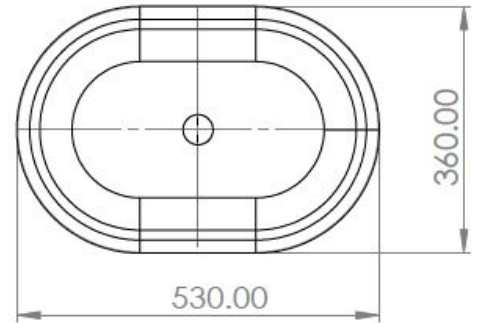


## Blanche 53 x 36 TitanCast Basin

**Code:** BL530BA



### Specifications

- Material: TitanCast Solid Surface
- Requires Waste: 32mm without overflow
- Made in South Africa
- Satin Silk is stocked in Australia
- Gloss white and special finish colours are available on request.
- Leadtime: 16-18 weeks from date of order for gloss white and special finishes.

### Product Options

BL530BA: Satin Silk White

BL530BA-GW: Gloss White

BL530BA-SF: Special Finish

### Warranty

For peace of mind, Turner Hastings offers the following warranty on this product and its components: TitanC refer to our warranty page.