

MARIS

MRG610-72



MRG610-72 MB



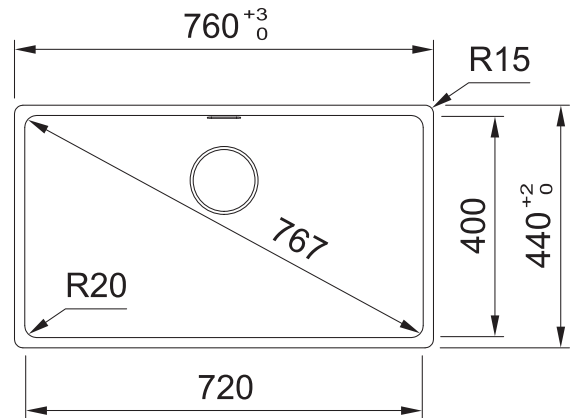
MRG610-72 ON



MRG610-72 PW



MRG610-72 SG



PRODUCT INFORMATION

Installation	Topmount
Dimensions	760 x 440mm
Cabinet Base	800mm
Bowl Size	720 x 400 x 200mm / 57L
Bowl Radius	20mm
Cut-Out Size	Template
Cut-Out Template	Yes
Waste Outlet	Semi Integrated Waste
Overflow	Hidden
Tap Holes	No
Remote Waste	No
Finish	Fragranite
Warranty	50 Years

NOTE: Cut-out dimensions are a guide only, please use the actual sink as your template.

FEATURES & BENEFITS



Food Preparation Centre



Fragranite



Hidden Overflow



Sanitized@ Surface

ALL-IN ACCESSORIES (AVAILABLE)

PACK 1	<p>Telescopic Bridge Chopping Board Small Strainer Bowl Small Storage Box Bamboo Lid</p>
PACK 2	<p>All Accessories Included In Pack 1 + Silicon Drainer Mat</p>
PACK 3	<p>All Accessories Included In Pack 2 + Large Strainer Bowl Storage Container</p>

ADDITIONAL ACCESSORIES ——— Included Accessory
- - - - - Available Accessory



DT651
Extension Drainer



DB448
Drainer Basket



RM44
Rollamat

BARE SINK OPTION AND SOME SINK & TAP PACKAGES DO NOT INCLUDE ACCESSORIES. PLEASE CHAT TO YOUR SALES CONSULTANT FOR FURTHER INFORMATION.

LAST UPDATED: 29 MARCH 2023

