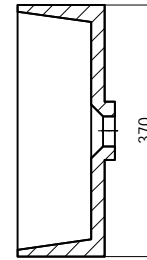
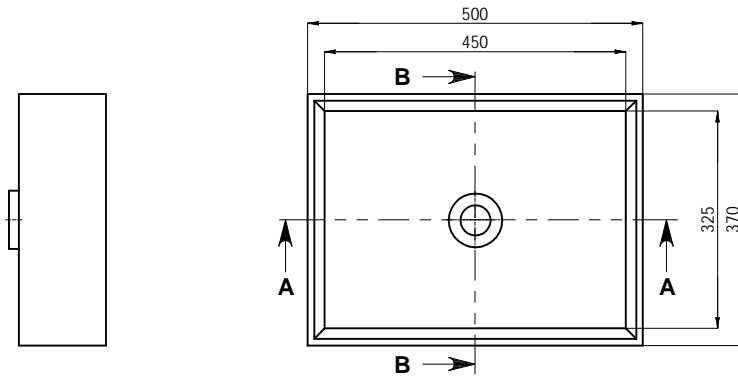
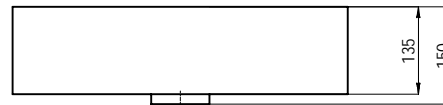
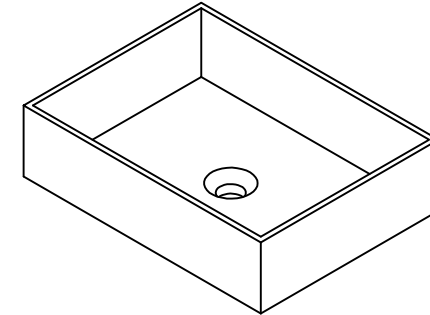


DRAFT COPY

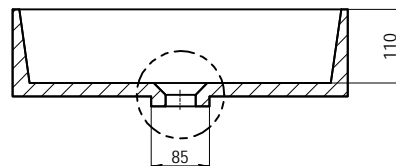
DO NOT SCALE. IF IN DOUBT ASK!



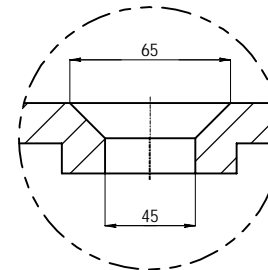
SECTION B-B



*The thickness of the rim is 15mm



SECTION A-A



DETAIL D
SCALE 1:3

COLOUR
QTY
APPROVED BY:
NAME & SIGNATURE
DATE APPROVED:

- NOTES
1. ALL INTERNAL CORNERS TO BE R5 UNLESS OTHERWISE STATED.
 2. BASINS IN AUSTRALIA COME WITH GLOSS FINISH ONLY ON SPECIAL ORDER - 8 WEEKS DELAY (SURCHARGE APPLIES). ALL BASINS DO NOT COME WITH A WASTE FITTING.

COPYRIGHT © APPLIES DUPPLICATION OF THIS DRAWING OR ANY SPECIFIC DESIGN FEATURES IS NOT PERMITTED WITHOUT WRITTEN AUTHORITY. "COMMERCIAL CONFIDENTIALITY" IS ASSUMED AND REQUIRED.

UNLESS OTHERWISE STATED ALL DIMENSIONS IN MILLIMETERS	MATERIAL:	KASKADE STONE		DRAWING NUMBER										
	FINISH:	REFER TO ORDER		Devon-BRA8										
DRAWING LEGEND	N.W	12.5kg	Product Size	500X370X150										
	G.W	15.5kg	Package size	550X430X230										
	LINEAR / ANGULAR TOLERANCES	DRAWN		DATE										
	<table border="1"> <tr> <td>No Decimal</td> <td>1 Decimal</td> <td>2 Decimals</td> <td>CHK'D</td> <td>DATE</td> </tr> <tr> <td>±5</td> <td></td> <td></td> <td></td> <td>02/03/15</td> </tr> </table>	No Decimal	1 Decimal	2 Decimals	CHK'D	DATE	±5				02/03/15	KASKADE		02/03/15
No Decimal	1 Decimal	2 Decimals	CHK'D	DATE										
±5				02/03/15										
		±3°												

REV	DESCRIPTION	DWG	DATE	CHK'D	DATE
1	RELEASE DATE.	KASKADE	02/03/15		

KASKADE
STONE
www.kaskadebaths.de