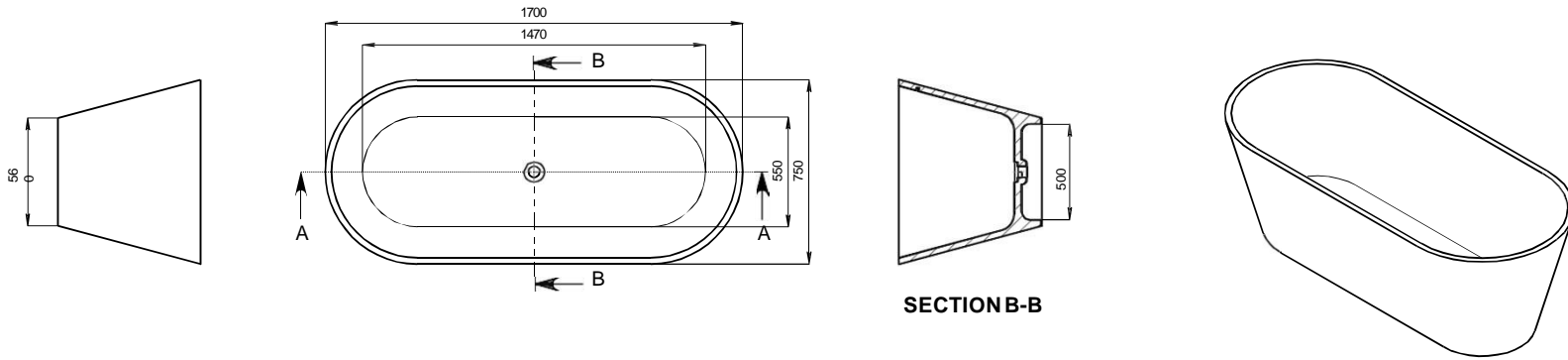
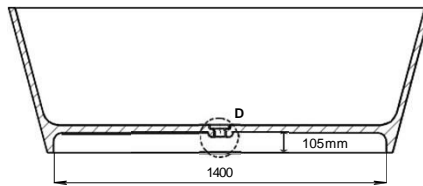
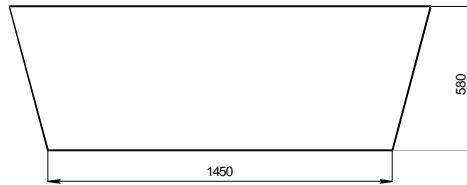


DRAFT COPY

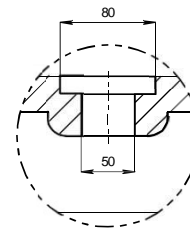
DO NOT SCALE. IF IN DOUBT ASK!



SECTION B-B



SECTION A-A




DETAIL D  
SCALE 1:4

<b>COLOUR</b>
<b>QTY</b>
<b>APPROVED BY:</b>
<small>NAME &amp; SIGNATURE</small>
<b>DATE APPROVED:</b>

NOTES

1. ALL INTERNAL CORNERS TO BE R5 UNLESS OTHERWISE STATED.
2. AS ALL KASKADE PRODUCTS ARE HAND FINISHED A 2-5mm TOLERANCE IS ALLOWED.

COPYRIGHT KASKADE. DUPLICATION OF THIS DRAWING OR ANY SPECIFIC DESIGN FEATURES IS NOT PERMITTED WITHOUT WRITTEN AUTHORITY. * COMMERCIAL CONFIDENTIALITY IS ASSUMED AND REQUIRED.		DRAWING NUMBER	
UNLESS OTHERWISE STATED ALL DIMENSIONS IN MILLIMETERS		Vogue-RS27	
MATERIAL: KASKADESTONE		SCALE 1:1	A4
FINISH: REFER TO ORDER		SHEET 1 OF 1	REV. 1
DRAWING LEGEND		 <b>KASKADE</b> STONE <a href="http://www.kaskadebaths.de">www.kaskadebaths.de</a>	
N.W. 187 kg Product Size 1700X750X580			
G.W. 237 kg Package size 1790*800*700mm			
LINEAR / ANGULAR TOLERANCES			
DRAWN: KASKADE DATE: 02/03/15		DATE: 02/03/15	

REV	DESCRIPTION	DWG	DATE CHK'D	DATE
1	RELEASE DATE.	KASKADE	02/03/15	