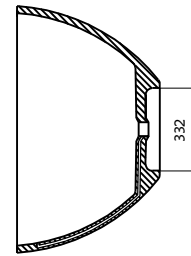
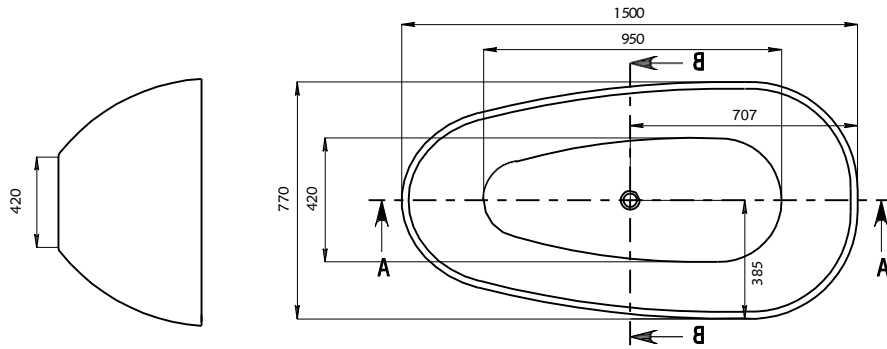
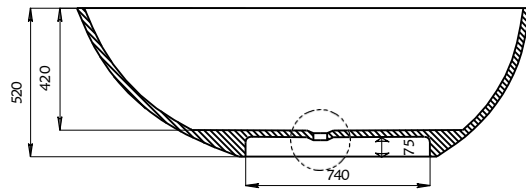
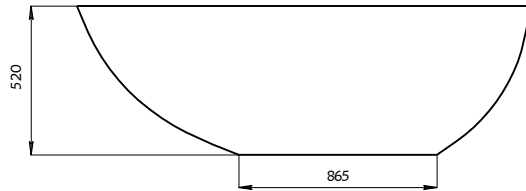
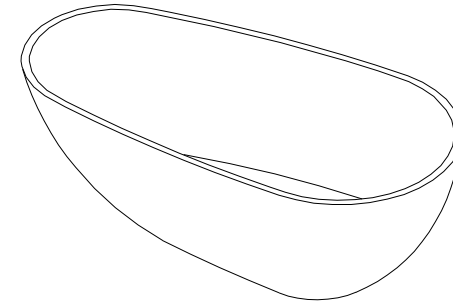


DRAFT COPY

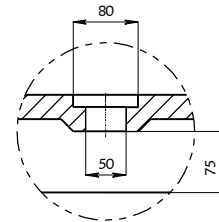
DO NOT SCALE. IF IN DOUBT ASK!



SECTION B-B



SECTION A-A



**DETAIL D
SCALE 1:3**

COLOUR
QTY
APPROVED BY:
NAME & SIGNATURE
DATE APPROVED:

NOTES
 1. ALL INTERNAL CORNERS TO BE R5 UNLESS OTHERWISE STATED.
 2. AS ALL KASKADE PRODUCTS ARE HAND FINISHED A 2-5mm TOLERANCE IS ALLOWED.

COPYRIGHT APPLIES DUPLICATION OF THIS DRAWING OR ANY SPECIFIC DESIGN FEATURES IS NOT PERMITTED WITHOUT WRITTEN AUTHORITY. "COMMERCIAL CONFIDENTIALITY" IS ASSUMED AND REQUIRED.			
UNLESS OTHERWISE STATED ALL DIMENSIONS IN MILLIMETERS		MATERIAL: KASKADE STONE	DRAWING NUMBER: Viva-RS3-1500
DRAWING LEGEND		FINISH: REFER TO ORDER	SCALE 1:1 A4
		N.W. 165 kg	SHEET 1 OF 1 REV. 1
		G.W. 215 kg	Product Size 1500X770X520
			Package size 1580 x 880 x 680mm
		LINEAR / ANGULAR TOLERANCES	DRAWN: KASKADE DATE: 02/03/15
		No Decimals	
		±0.5	
		±0.3	

REV	DESCRIPTION	DWG	DATE	CHK'D	DATE
1	RELEASE DATE.	KASKADE	02/03/15		

