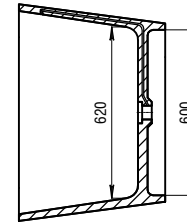
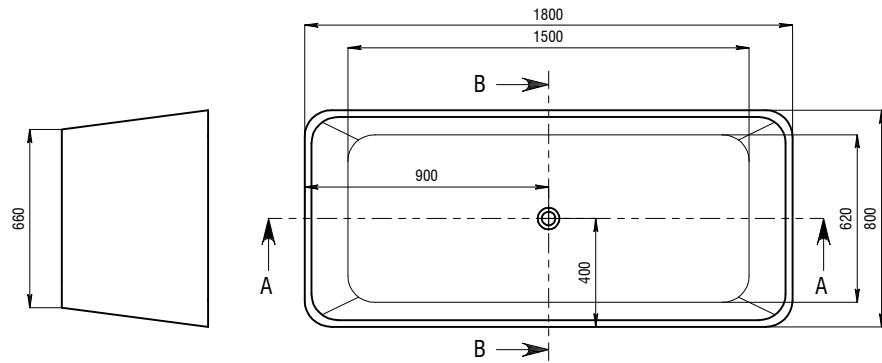
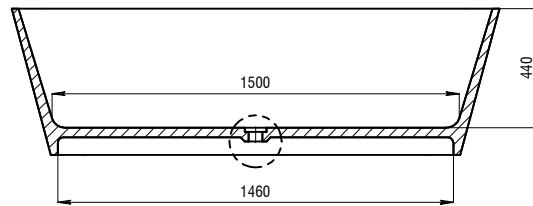
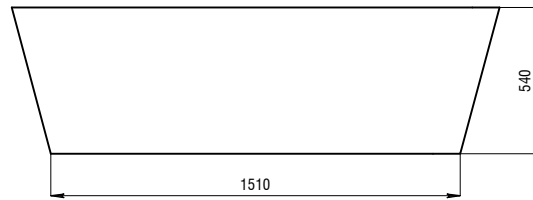
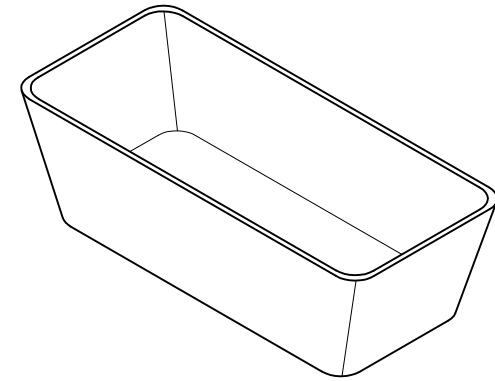


DRAFT COPY

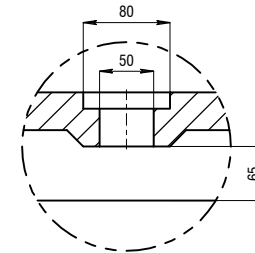
DO NOT SCALE. IF IN DOUBT ASK!



SECTION B-B



SECTION A-A



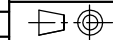
DETAIL D  
SCALE 1:4

<b>COLOUR</b>
<b>QTY</b>
<b>APPROVED BY:</b>
NAME & SIGNATURE
<b>DATE APPROVED:</b>

- NOTES
1. ALL INTERNAL CORNERS TO BE R5 UNLESS OTHERWISE STATED.
  2. AS ALL KASKADE PRODUCTS ARE HAND FINISHED A 2-5mm TOLERANCE IS ALLOWED.

COPYRIGHT © APPLIES. DUPLICATION OF THIS DRAWING OR ANY SPECIFIC DESIGN FEATURES IS NOT PERMITTED WITHOUT WRITTEN AUTHORITY. "COMMERCIAL CONFIDENTIALITY" IS ASSUMED AND REQUIRED.

UNLESS OTHERWISE STATED ALL DIMENSIONS IN MILLIMETERS		MATERIAL: <b>KASKADE STONE</b>	DRAWING NUMBER <b>Amica-RS5-1800</b>	
DRAWING LEGEND		FINISH: <b>REFER TO ORDER</b>	SCALE 1:1	A4
N.W. 220.5 kg		Product Size 1800X800X540	SHEET 1 OF 1	REV. 1
G.W. 271.5 kg		Package size 1880X920X720		
LINEAR / ANGULAR TOLERANCES		DRAWN <b>KASKADE</b>	DATE <b>02/03/15</b>	
No Decimals	1 Decimal	2 Decimals	3:	
5				



REV	DESCRIPTION	DWG	DATE	CHK'D	DATE
1	RELEASE DATE.	KASKADE	02/03/15		