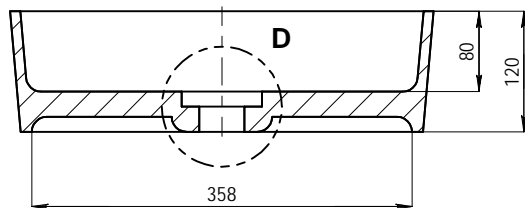
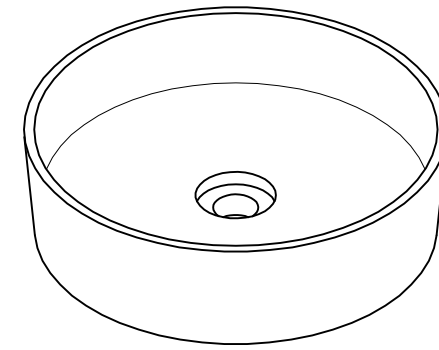
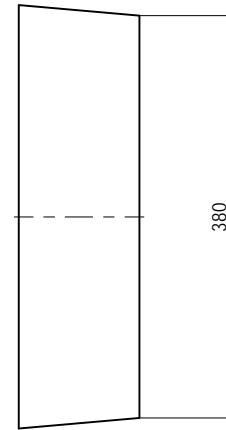
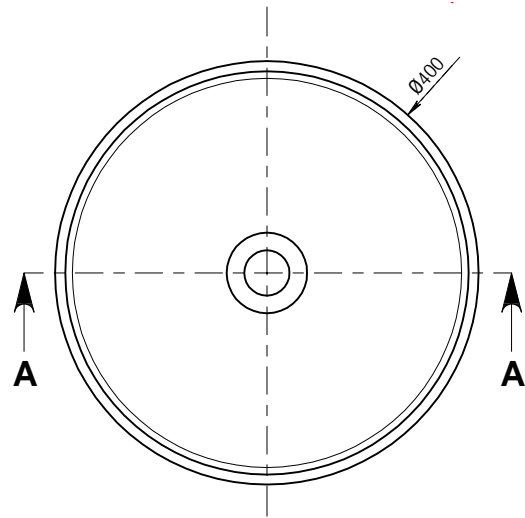
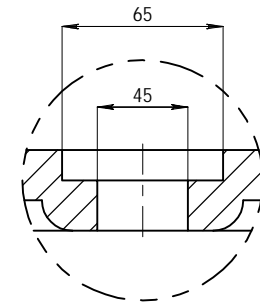


DRAFT COPY

DO NOT SCALE. IF IN DOUBT ASK!



**SECTION A-A**



**DETAIL D  
SCALE 1:2**

COLOUR
QTY
APPROVED BY:
NAME & SIGNATURE
DATE APPROVED:

- NOTES**
- ALL INTERNAL CORNERS TO BE R5 UNLESS OTHERWISE STATED.
  - BASINS IN AUSTRALIA COME WITH GLOSS FINISH ONLY ON SPECIAL ORDER - 8 WEEKS DELAY (SURCHARGE APPLIES). ALL BASINS DO NOT COME WITH A WASTE FITTING.

COPYRIGHT © APPLIES		DUPLICATION OF THIS DRAWING OR ANY SPECIFIC DESIGN FEATURES IS NOT PERMITTED WITHOUT WRITTEN AUTHORITY. "COMMERCIAL CONFIDENTIALITY" IS ASSUMED AND REQUIRED.			
UNLESS OTHERWISE STATED ALL DIMENSIONS IN MILLIMETERS	MATERIAL:	KASKADE STONE		DRAWING NUMBER	
	FINISH:	REFER TO ORDER		Bowl-S2	
DRAWING LEGEND	N.W	6.5 kg	Product Size	400X400X120	
	G.W	kg	Package size		
	LINEAR / ANGULAR TOLERANCES		DRAWN	DATE	
	No Decimals	1 Decimal	2 Decimals	KASKADE	02/03/15
	±5		±3°	CHK'D	DATE

REV	RELEASE DATE.	DESCRIPTION	DWG	DATE	CHK'D	DATE
1			KASKADE	02/03/15		



**KASKADE**  
STONE

www.kaskadebaths.de