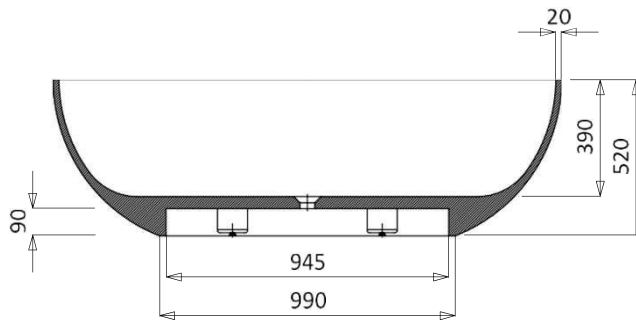
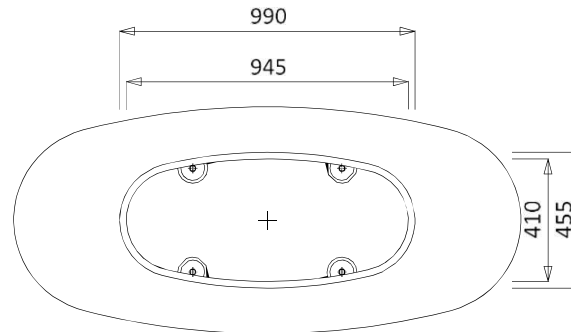
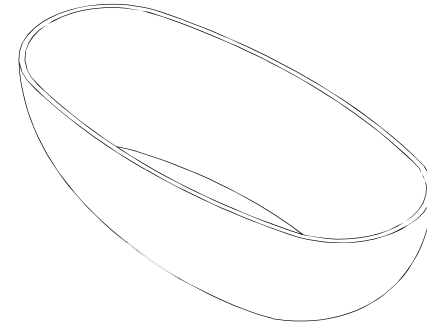
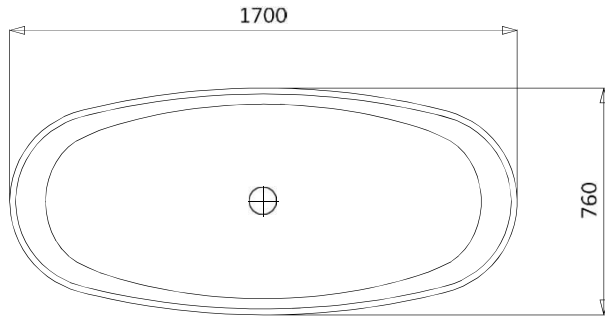


DRAFT COPY

DO NOT SCALE. IF IN DOUBT ASK!



COLOUR
QTY
APPROVED BY:
NAME & SIGNATURE
DATE APPROVED:

- NOTES
1. ALL INTERNAL CORNERS TO BE R5 UNLESS OTHERWISE STATED.
 2. AS ALL KASKADE PRODUCTS ARE HAND FINISHED A 2-5mm TOLERANCE IS ALLOWED.

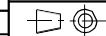
COPYRIGHT © JES DUPLICATION OF THIS DRAWING OR ANY SPECIFIC DESIGN FEATURES IS NOT PERMITTED WITHOUT WRITTEN AUTHORITY. "COMMERCIAL CONFIDENTIALITY" IS ASSUMED AND REQUIRED.

UNLESS OTHERWISE STATED
ALL DIMENSIONS IN MILLIMETERS

MATERIAL:	KASKADE STONE	
FINISH:	REFER TO ORDER	
N.W	172 kg	Product Size 1700X760X520
G.W	222 kg	Package size 1770X900X680
LINEAR / ANGULAR TOLERANCES	±0.5	±3°
DRWN	KASKADE	DATE 02/03/15
CHKD		DATE

DRAWING NUMBER	SCALE 1:1	A4
Calpurnia-RS39	SHEET 1 OF 1	REV. 1

DRAWING LEGEND



REV	DESCRIPTION	DWG	DATE	CHKD	DATE
1	RELEASE DATE.	KASKADE	02/03/15		