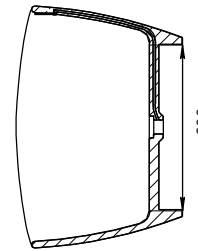
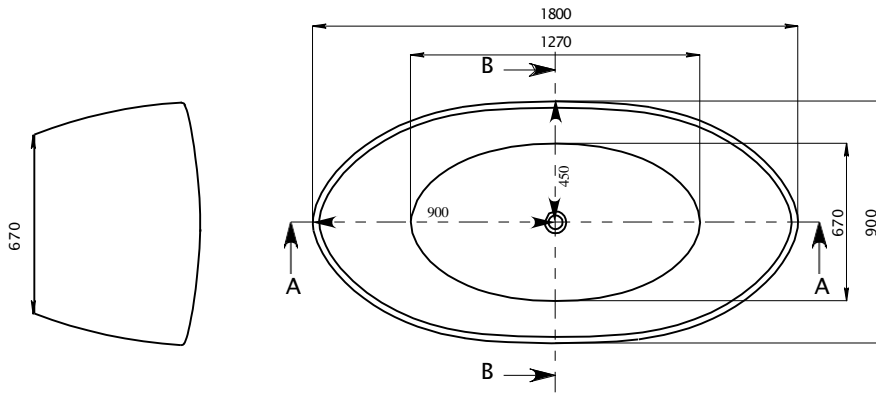
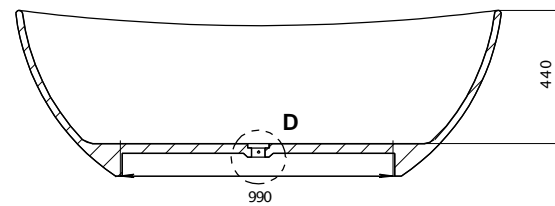
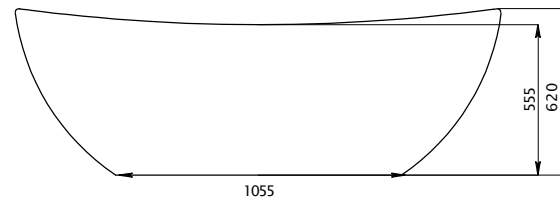
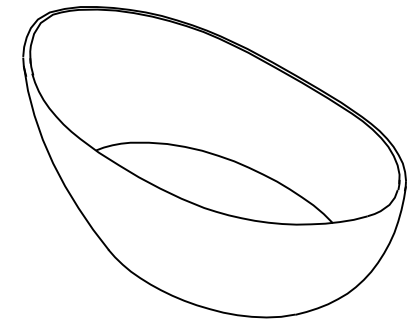


DRAFT COPY

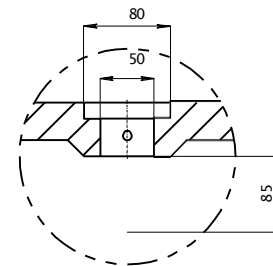
DO NOT SCALE. IF IN DOUBT ASK!



SECTION B-B



SECTION A-A



**DETAIL D
SCALE 1:4**

COLOUR
QTY
APPROVED BY:
NAME & SIGNATURE
DATE APPROVED:

- NOTES
1. ALL INTERNAL CORNERS TO BE R5 UNLESS OTHERWISE STATED.
 2. AS ALL KASKADE PRODUCTS ARE HAND FINISHED A 2-5mm TOLERANCE IS ALLOWED.

COPYRIGHT © APPLIES DUPLICATION OF THIS DRAWING OR ANY SPECIFIC DESIGN FEATURES IS NOT PERMITTED WITHOUT WRITTEN AUTHORITY. "COMMERCIAL CONFIDENTIALITY" IS ASSUMED AND REQUIRED.

UNLESS OTHERWISE STATED ALL DIMENSIONS IN MILLIMETERS		MATERIAL: KASKADE STONE		DRAWING NUMBER: Caesar-RS42-1800		SCALE 1:1	A4
DRAWING LEGEND		FINISH: REFER TO ORDER		Product Size 1800X900X620		SHEET 1 OF 1	REV. 1
		N.W 182 kg		Package size 1850X950X670			
		G.W 233 kg					
		LINEAR / ANGULAR TOLERANCES		DRAWN: KASKADE		DATE: 02/03/15	
		No Decimals 1 Decimal 2 Decimals		CHK'D: DATE:			
		±5 ±3*					

1	RELEASE DATE.	KASKADE	02/03/15			
REV	DESCRIPTION	DWG	DATE	CHK'D	DATE	