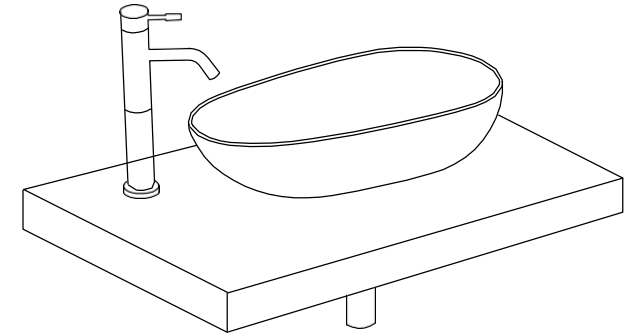
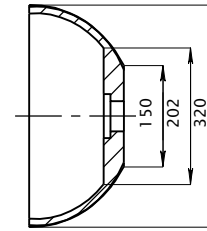
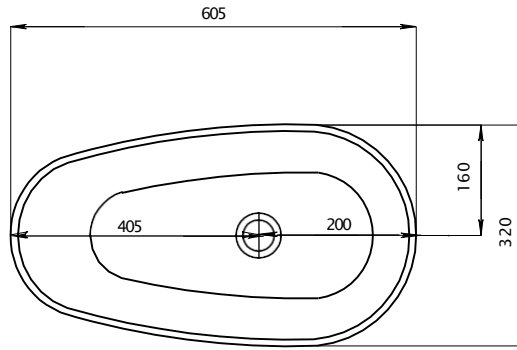
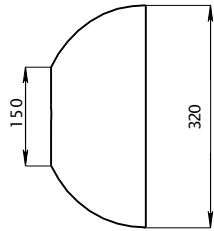
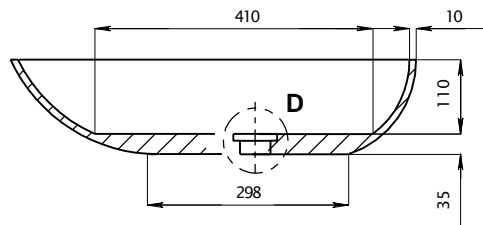


DRAFT COPY

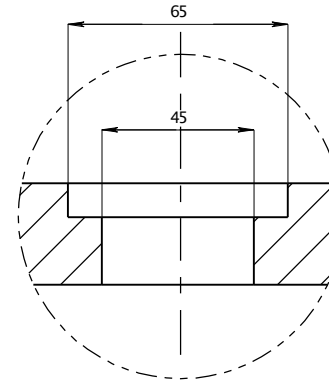
DO NOT SCALE. IF IN DOUBT ASK!



SECTION B-B



SECTION A-A



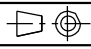
DETAIL D
SCALE 1:5

COLOUR
QTY
APPROVED BY:
<small>NAME & SIGNATURE</small>
DATE APPROVED:

NOTES

1. ALL INTERNAL CORNERS TO BE R5 UNLESS OTHERWISE STATED.
2. BASINS IN AUSTRALIA COME WITH GLOSS FINISH ONLY ON SPECIAL ORDER - 8 WEEKS DELAY (SURCHARGE APPLIES). ALL BASINS DO NOT COME WITH A WASTE FITTING.

COPYRIGHT © APPLIES. DUPLICATION OF THIS DRAWING OR ANY SPECIFIC DESIGN FEATURES IS NOT PERMITTED WITHOUT WRITTEN AUTHORITY. "COMMERCIAL CONFIDENTIALITY" IS ASSUMED AND REQUIRED.

UNLESS OTHERWISE STATED ALL DIMENSIONS IN MILLIMETERS		MATERIAL: KASKADE STONE		DRAWING NUMBER: VIVA-RSA3		SCALE 1:1	A4
DRAWING LEGEND		FINISH: REFER TO ORDER		Product Size: 605x320x145		SHEET 1 OF 1	REV. 1
		N.W: 9 kg	Package size: 640x360x210	DRAWN: KASKADE		DATE: 02/03/15	
		G.W: 11.5 kg	Package size: 640x360x210	CHK'D: []		DATE: []	
		LINEAR / ANGULAR TOLERANCES		DATE: 02/03/15		www.kaskadebaths.de	
		No Decimals	1 Decimal	2 Decimals	± 3°		
		± 0.5					

REV	RELEASE DATE.	DESCRIPTION	DWG	DATE	CHK'D	DATE
1			KASKADE	02/03/15		

