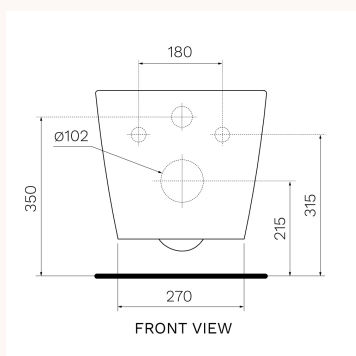
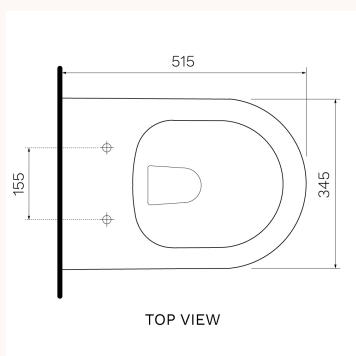
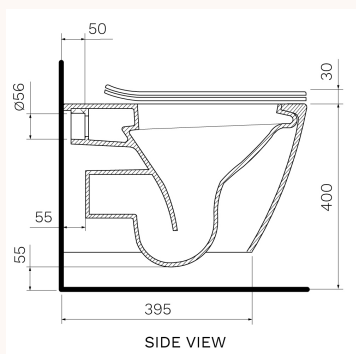




Ellisse II Wall Hung Pan Rimless (including Soft Close Seat)

PN620

The innovative design of the PARISI Ellisse II Wall Hung Pan with Rimless technology projects water rather than the traditional flushing mechanism where water pours down the rim. Through the powerful delivery of water and open rim design, maximum cleaning of the inner bowl is achieved.



Product type	Toilets
Brand	PARISI
Collection	Ellisse II
Range	Design
Designers	PARISI Design Team
WxDxH	345mm x 515mm x 345mm
Colour / Finish	 Gloss White
Material	Ceramic
WELS	4 Star 4.5/3L
Trap options	P-Trap
P Trap set out (mm)	215mm height FFL
Inlet Options	Back Inlet 350mm height FFL
Seat	Soft Close Seat Centric Lift Off Hinge (PN5745)
Average water flush (L/f)	3.3 Litres
Rimless	Yes
<hr/>	
Warranty	10 Year Warranty
Availability	Stocked Item
Fixing Types	Wall
Features:	Seat - Soft Close, Slim Heavy Grade, Easy Lift-off Hinges, UV Resistant, Antibacterial (PN5745)
Installation Instructions:	Compatible with concealed cisterns (PA120, PA121, PA140, PA141). Compatible with push button panels and remote button sets (PA221 - PA265).

PARISI



RIMLESS

