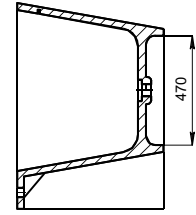
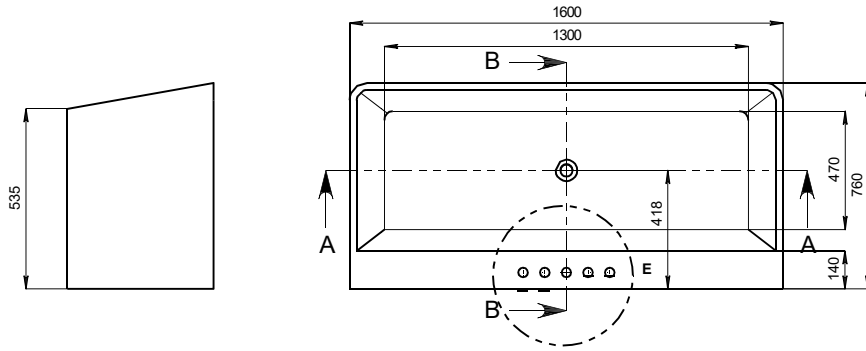
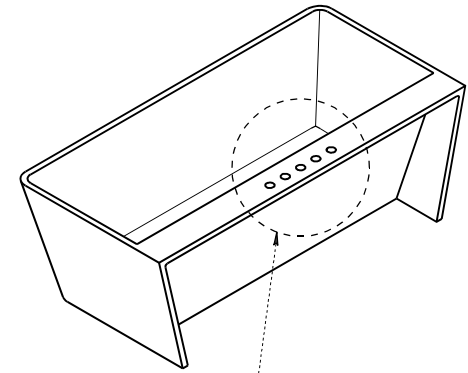


DRAFT COPY

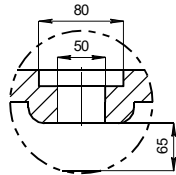
DO NOT SCALE. IF IN DOUBT ASK!



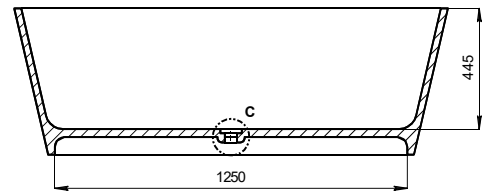
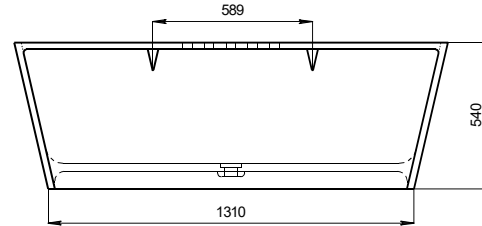
SECTION B-B



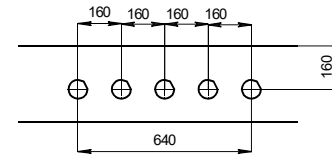
tap holes are optional – please specify on ordering



DETAIL C
SCALE 1:3



SECTION A-A



DETAIL E
SCALE 1:2

COLOUR
QTY
APPROVED BY:
NAME & SIGNATURE
DATE APPROVED:

NOTES
 1. ALL INTERNAL CORNERS TO BE R5 UNLESS OTHERWISE STATED.
 2. AS ALL KASKADE PRODUCTS ARE HAND FINISHED A 2-5mm TOLERANCE IS ALLOWED.

COPYRIGHT © APPLIES. DUPLICATION OF THIS DRAWING OR ANY SPECIFIC DESIGN FEATURES IS NOT PERMITTED WITHOUT WRITTEN AUTHORITY. "COMMERCIAL CONFIDENTIALITY" IS ASSUMED AND REQUIRED.

UNLESS OTHERWISE STATED ALL DIMENSIONS IN MILLIMETERS		MATERIAL: KASKADE STONE	DRAWING NUMBER: Fogo-RS7	SCALE 1:1	A4
DRAWING LEGEND		FINISH: REFER TO ORDER		SHEET 1 OF 1	REV. 1
N.W	166 kg	Product Size	1600X760X540	 www.kaskadebaths.de	
G.W	225 kg	Package size	1710X900X720		
LINEAR / ANGULAR TOLERANCES		DRAWN KASKADE	DATE 02/03/15		
No Decimals	1 Decimal	2 Decimals	±3°		

REV	DESCRIPTION	DWG	DATE	CHK'D	DATE
1	RELEASE DATE.	KASKADE	02/03/15		