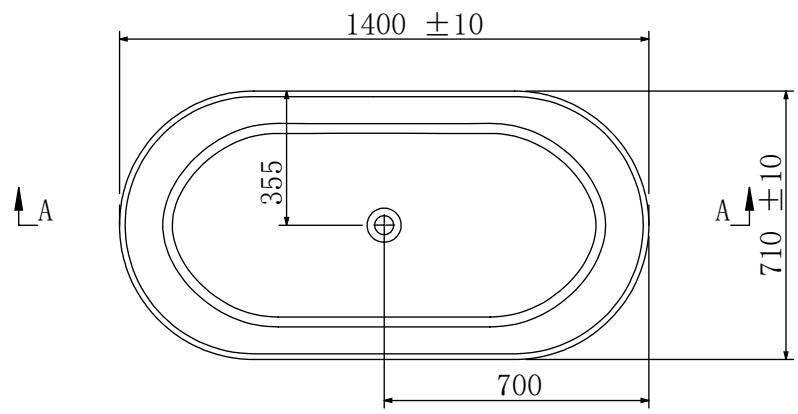
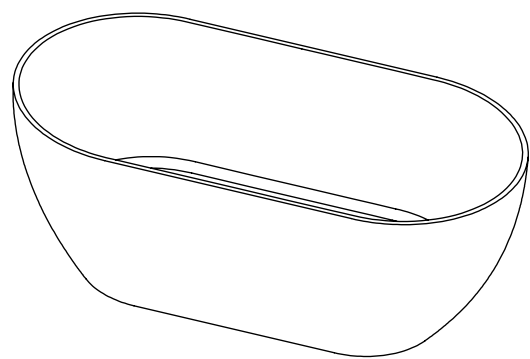


1 2 3 4 5 6

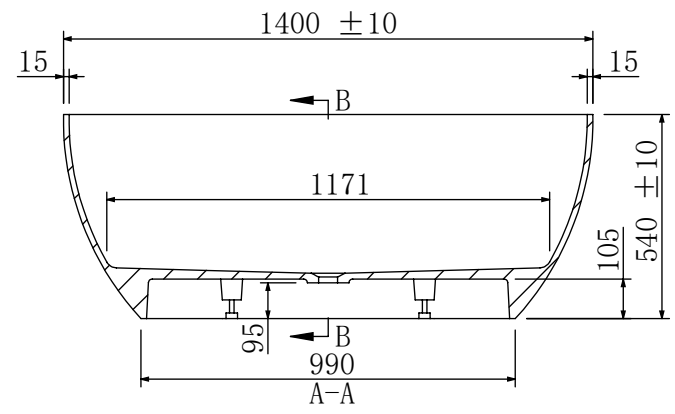
A



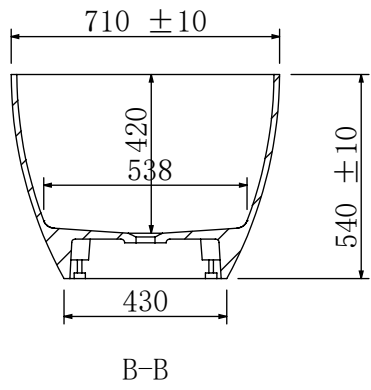
A



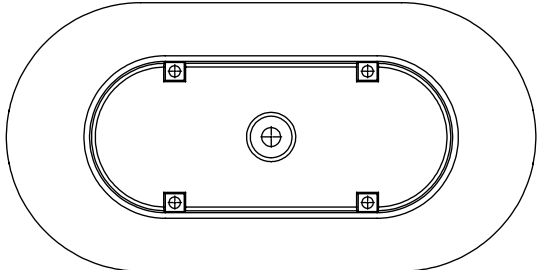
B



B



C



C

D

	NAME	DATE	KASKADE <small>BY KASKADE</small> <i>Couldn't be better</i>	
DRAWN	Jason	2022. 2. 17		
CHECKED	Thomas	2022. 2. 17		
Material:			VX12-1400-Lucia-Matt-White	A4
Solid Surface			Nett Weight-88kg - 1400x710x540mm Gross Weight-158kg- 1500x810x700mm	
WEIGHT:			SCALE: 1:10	SHEET 1 (OF 1)

1 2 3 4 5 6

D