

**SHAPE**

- Oval

**SIZE**

- Length: 492mm, Width: 400mm, Height: 195mm

**MATERIAL**

- QUARRYCAST™

**WEIGHT**

- 5.1kg

**CAPACITY**

- 9.5L

**INSTALLATION TYPE**

- Undermount

**DRAIN**

- Includes an Internal Overflow
- Drain kit required, sold separately
- Recommended wastes: K-25

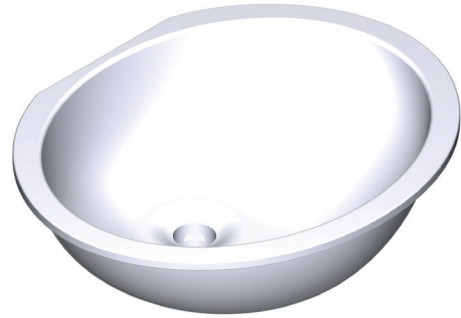
**STANDARDS**

- IAPMO pending

**WARRANTY**

- 25 years residential
- 8 years commercial
- Visit [www.vandabaths.com](http://www.vandabaths.com) for further information

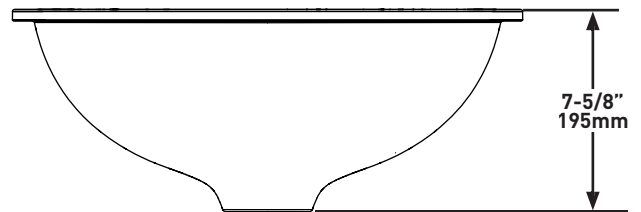
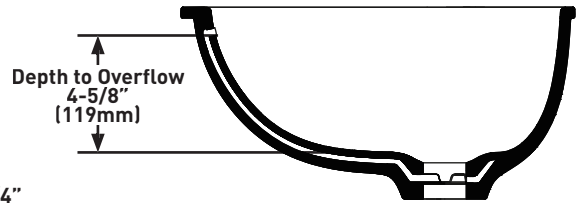
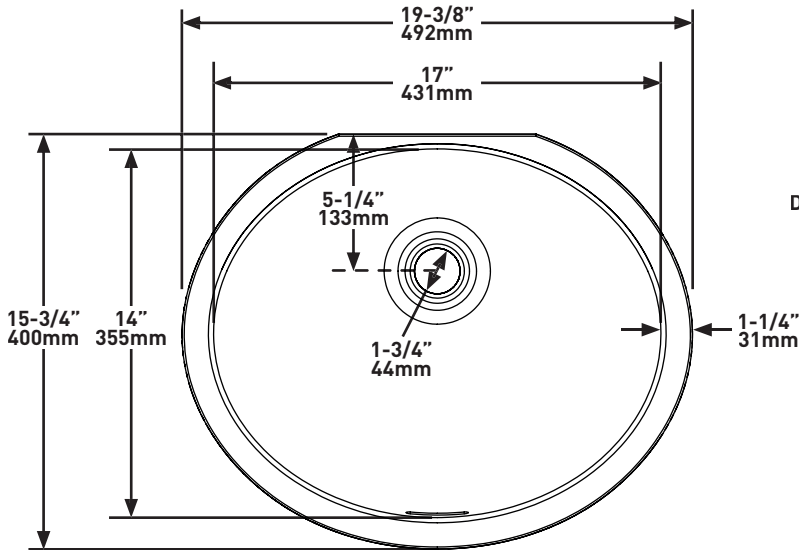
# SPECIFICATIONS



## LACENO™ 49

Undermount Oval Basin

**MODELS:** UB-LAC-49-10  
UB-LAC49M-SM-10



**For care and cleaning, product warranty, and additional information contact:**

**US Customers**

U.S.A.  
[houseofrohl.com/support](http://houseofrohl.com/support)  
1-800-777-9762

**Canadian Customers**

QUEBEC / MARITIMES / WESTERN CANADA  
QUÉBEC / MARITIMES / OUEST CANADIEN  
QUEBEC / MARITIMOS / CANADA OCCIDENTAL  
[houseofrohl.ca/support](http://houseofrohl.ca/support)  
1-866-473-8442

ONTARIO  
[houseofrohl.ca/support](http://houseofrohl.ca/support)  
1-800-287-5354

**EMEA Customers**

[vandabaths.com](http://vandabaths.com)  
+44 (0) 1952 221 100