



---

## **Installation Manual**

B&H DARA BTW Suite

B&H Elong BTW Suite

BHDR001BTW1#WH

BHEL001 BTW1#WH





# Product installation dimensions

The following \* is the suggest size.

Please confirm the installation size according to the product model.

Please have a ruler ready for dimensional measurement.

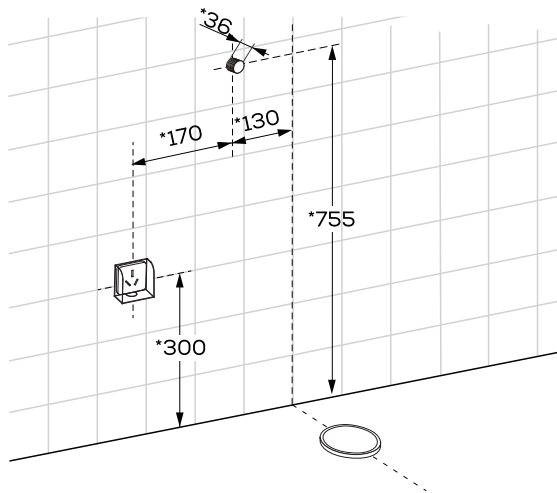
V-shaped toilet



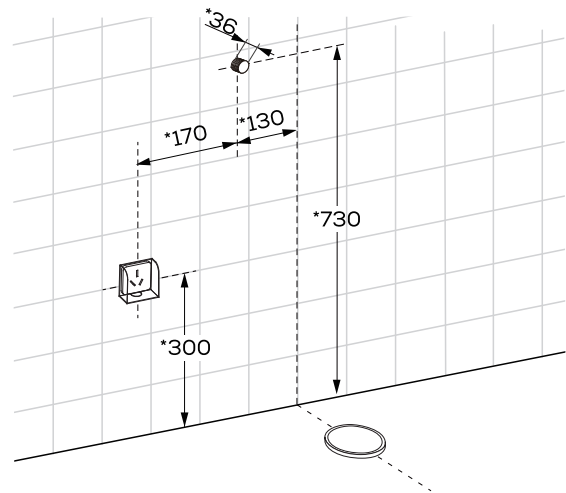
D-shaped toilet



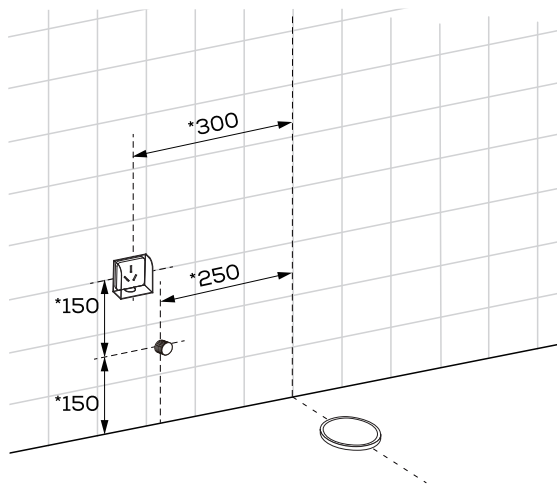
Back Inlet position



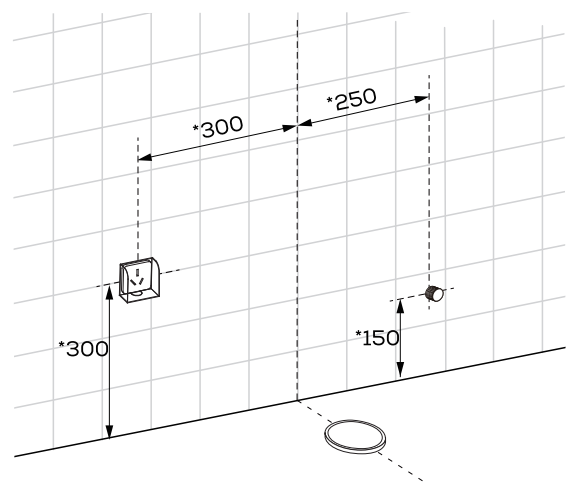
Back Inlet position

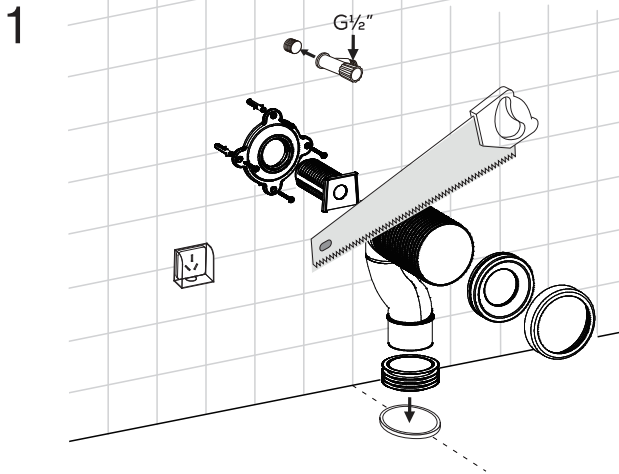


Bottom Inlet position (Left)

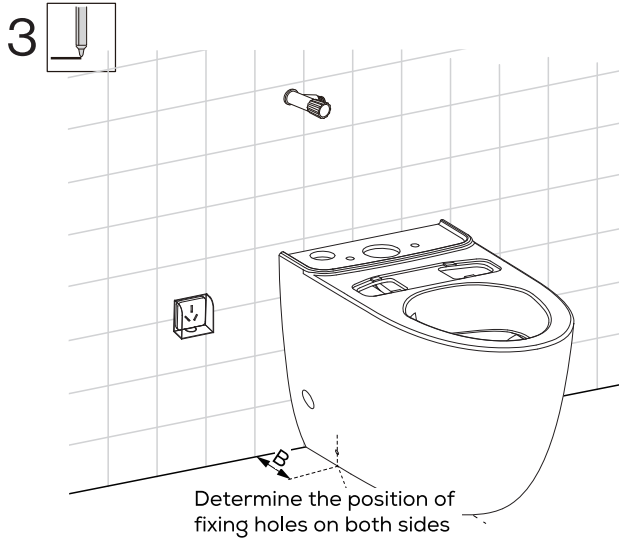
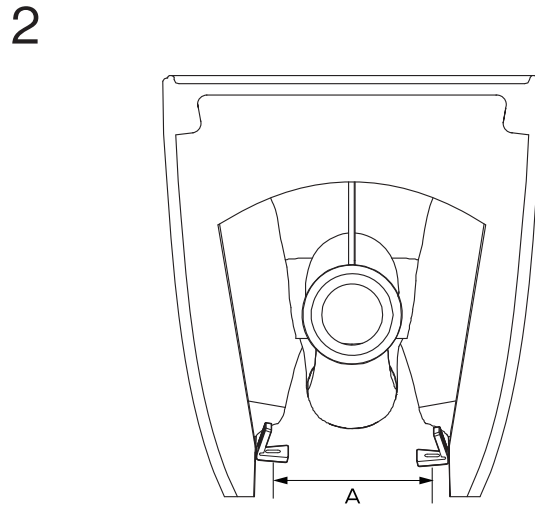


Bottom Inlet position (Right)

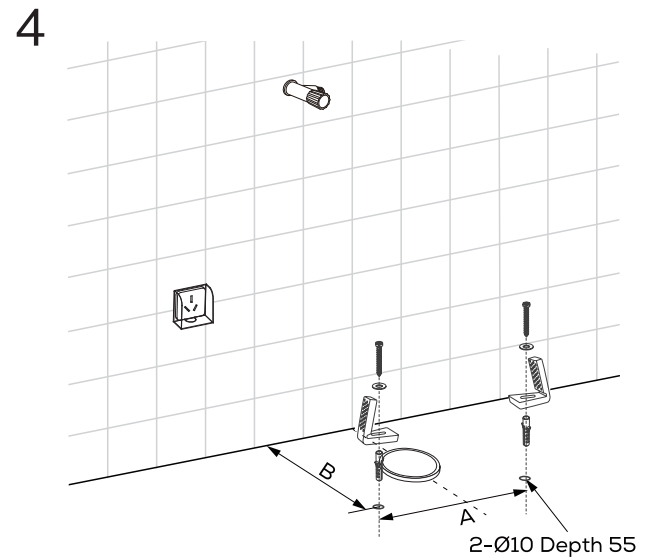




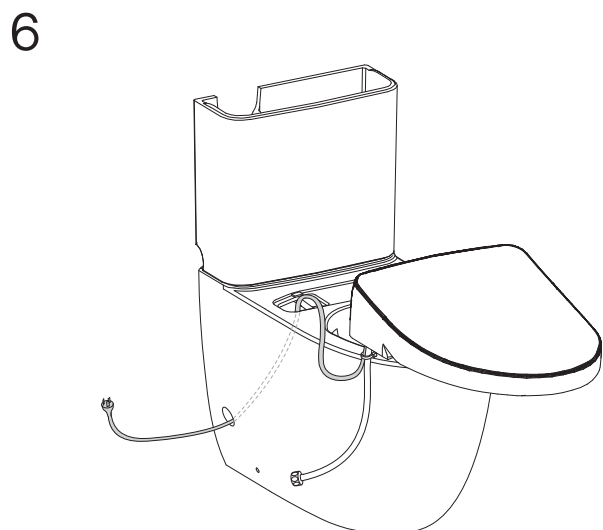
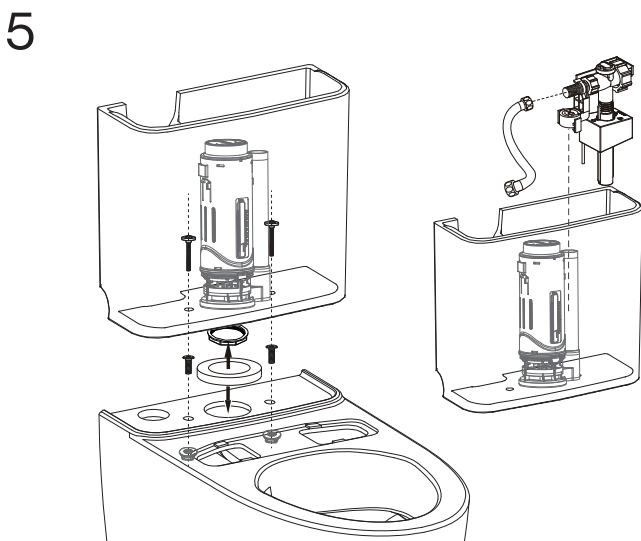
Please purchase your own sewage pipes  
Cut the sewage pipe according to the actual situation



Determine the position of  
fixing holes on both sides



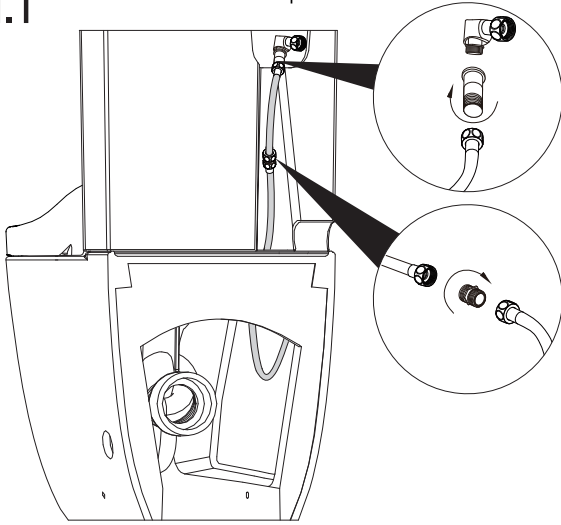
2-Ø10 Depth 55



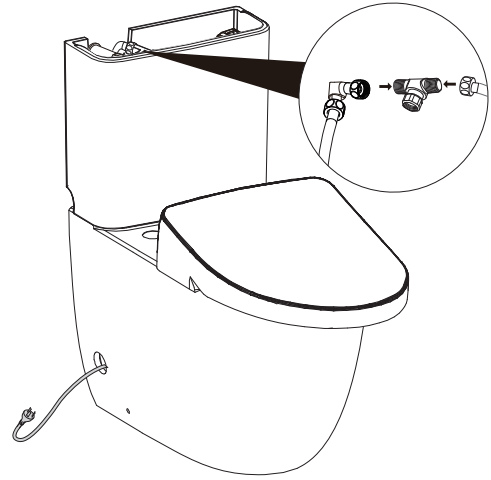


7.1.1

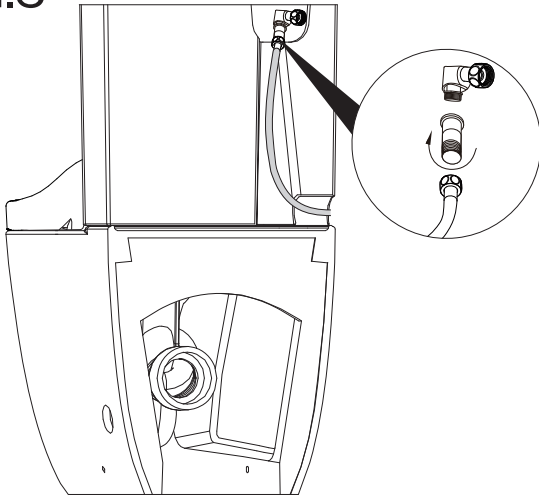
Back Inlet position



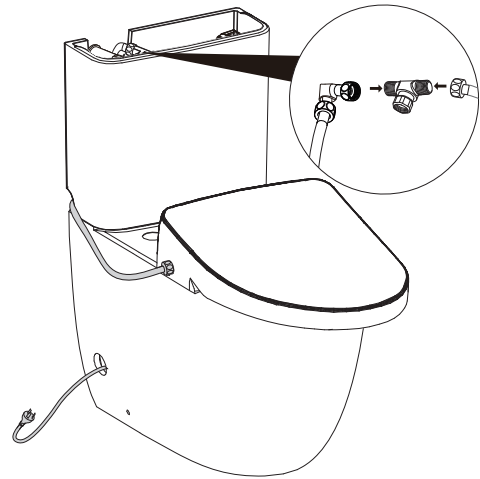
7.1.2



7.1.3

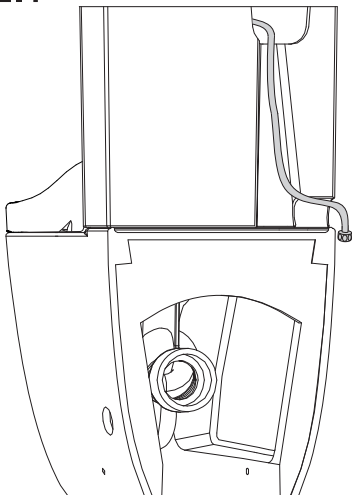


7.1.4

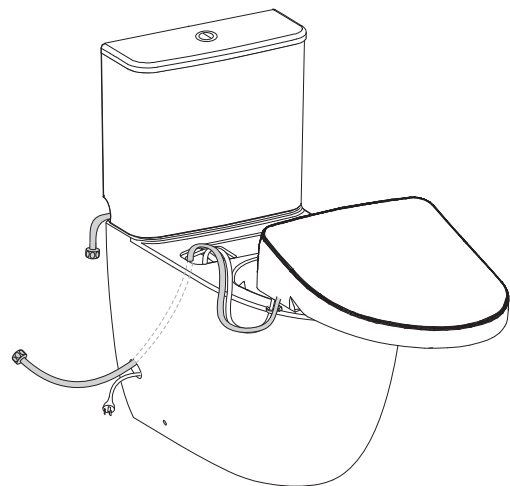


7.2.1

Bottom Inlet position (Left)

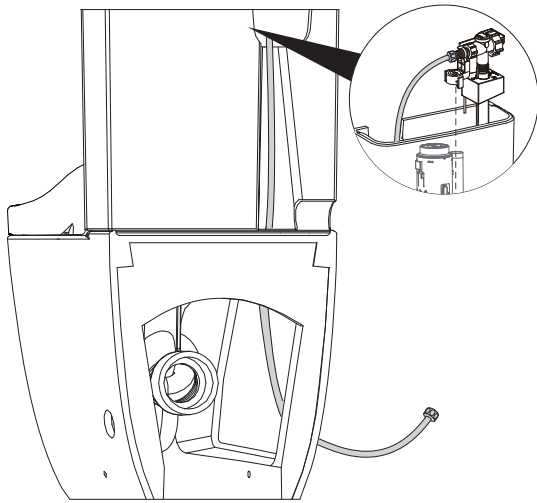


7.2.2

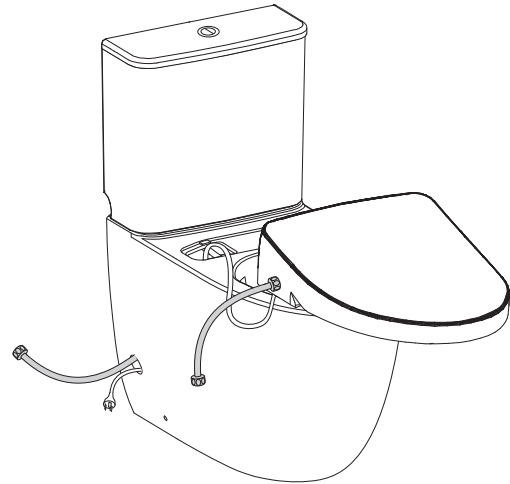




7.2.3

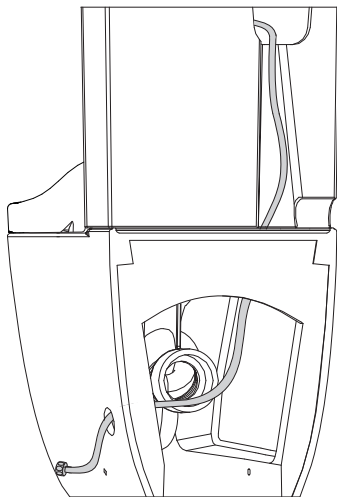


7.2.4

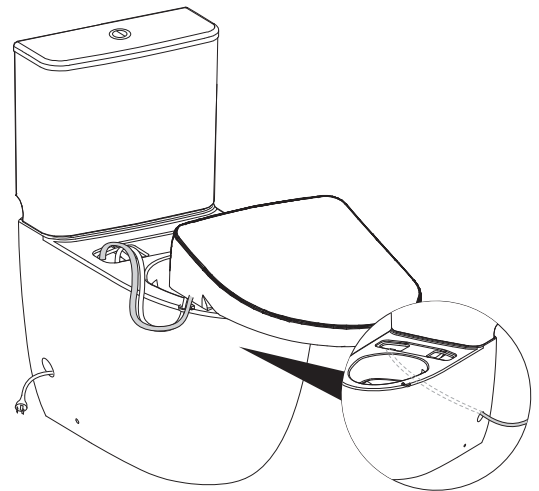


7.3.1

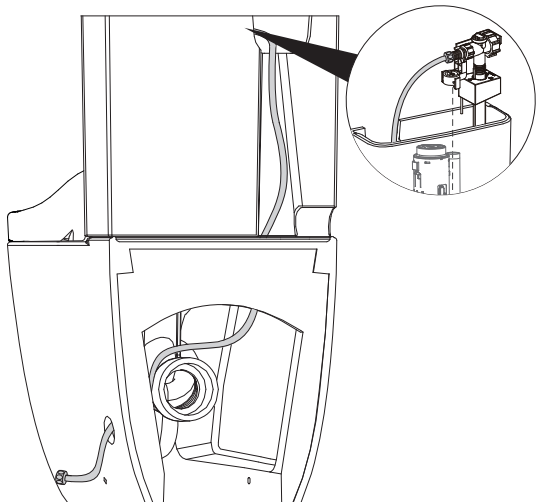
Bottom Inlet position (Right)



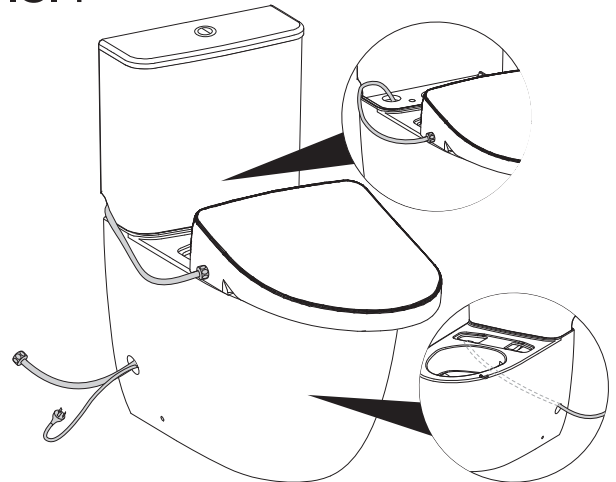
7.3.2



7.3.3

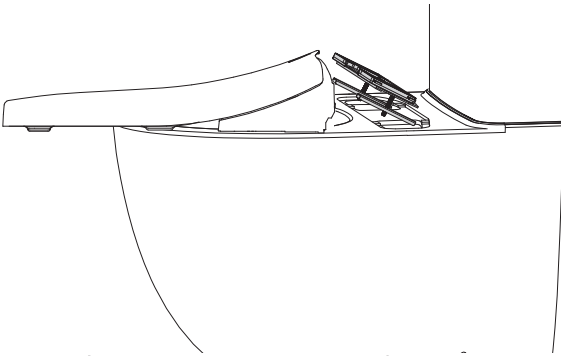
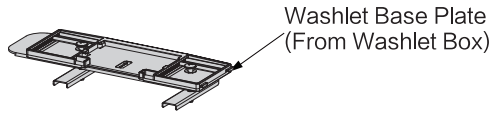


7.3.4



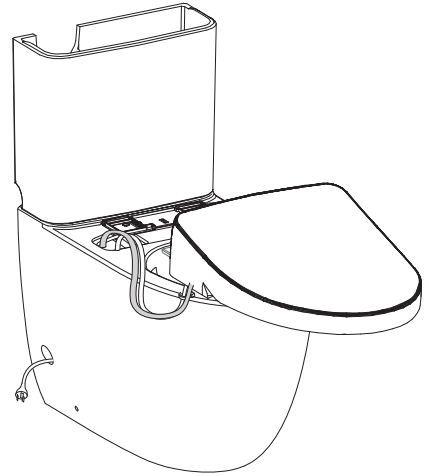


8



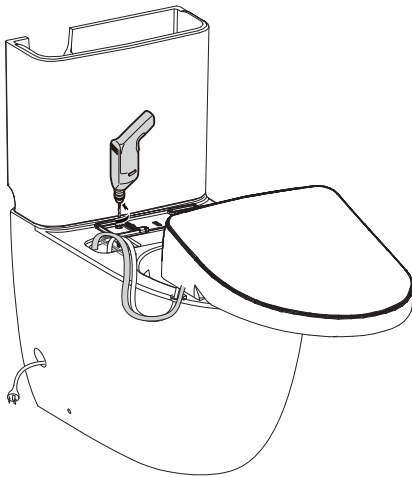
Please refer to the instruction manual for cover plate installation.

9

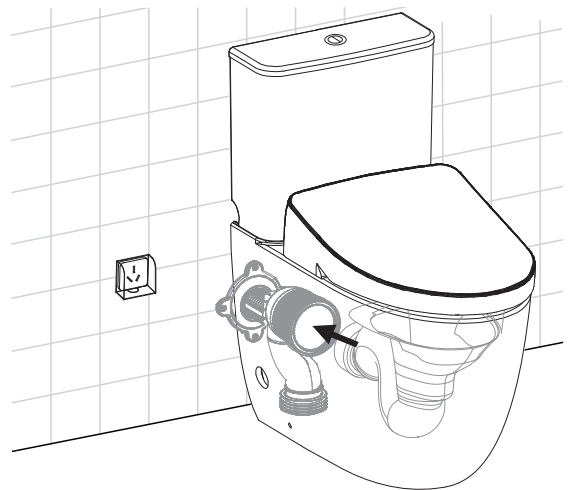


Place the bottom plate properly and find the balance.

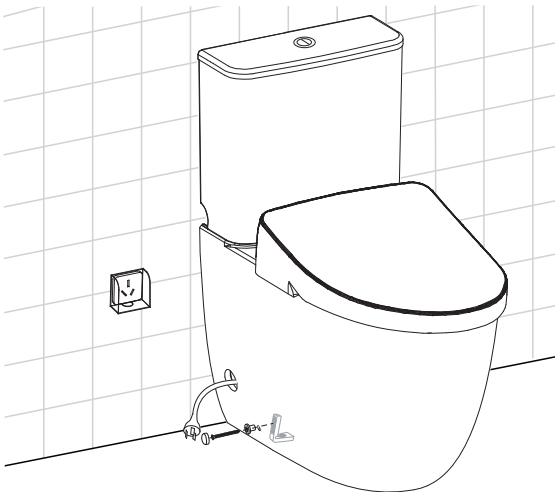
10



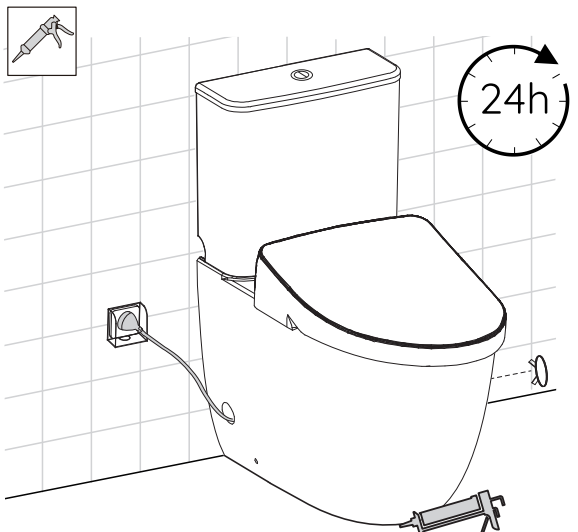
11



12



13

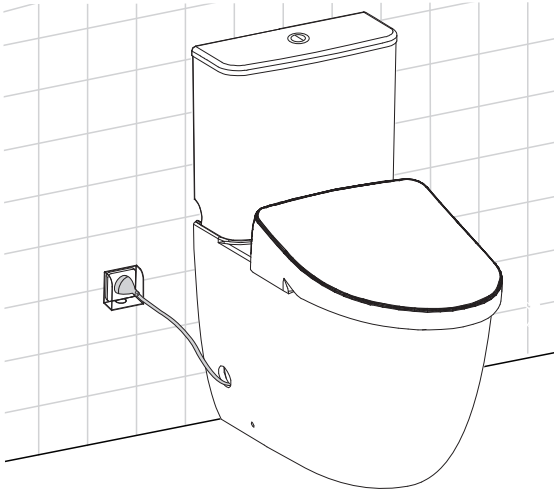


The instructions shall incorporate the requirements of AS/NZS 3500.1 and AS/NZS 3500.2, and should comply with Plumbing code Australia.

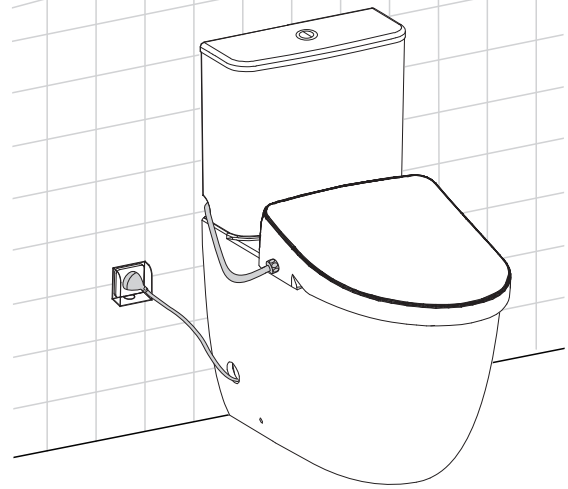


Installation effect drawing

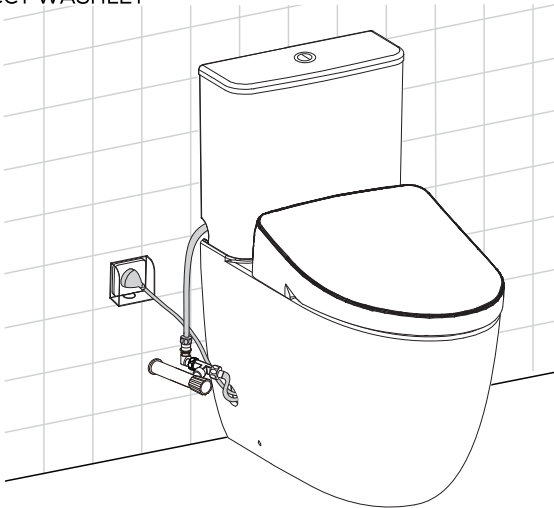
Back Inlet position  
For CCT WASHLET



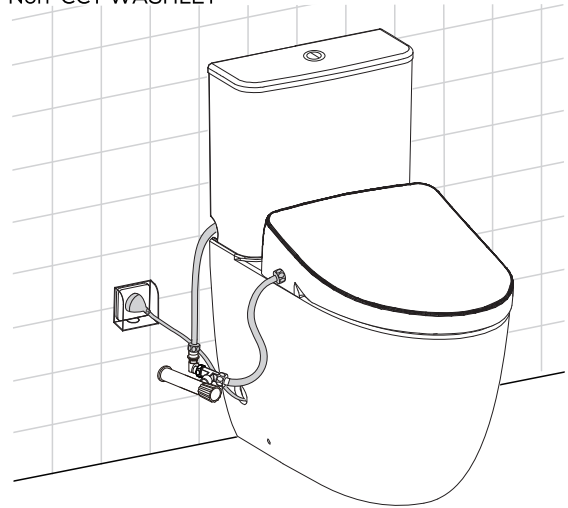
For Non-CCT WASHLET



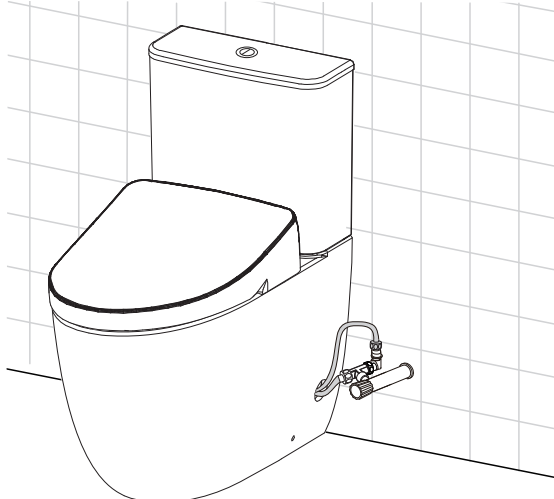
Bottom Inlet position (Left)  
For CCT WASHLET



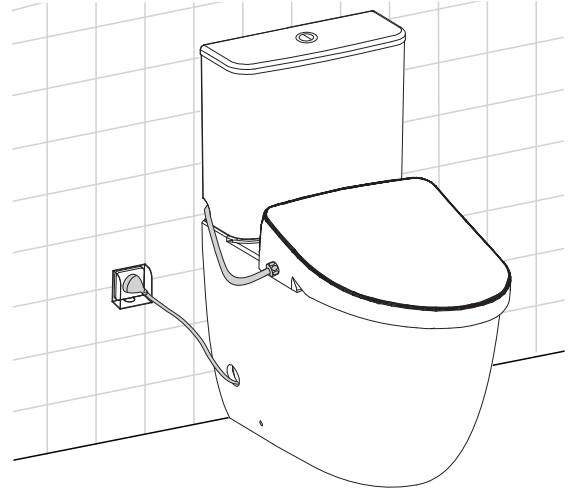
For Non-CCT WASHLET



Bottom Inlet position (Right)  
For CCT WASHLET



For Non-CCT WASHLET





[www.bandh.com.au](http://www.bandh.com.au)

B&H Investment Group Pty Ltd

2024.06

P/N:224000167701