

Zen SS316L Shower Rail

Finish & SKU

With Outdoor Shower Hose

 Brushed Bronze NR162205b01BZ	 Graphite NR162205b01GR
 Brushed Gold NR162205b01BG	 Brushed Nickel NR162205b01BN

With PVC Shower Hose

 Brushed Bronze NR162205b02BZ	 Graphite NR162205b02GR
 Brushed Gold NR162205b02BG	 Brushed Nickel NR162205b02BN

Specifications

Watermark License

WM-060093

Temperature Rating

Min 1°C-Max 75°C

Pressure Rating

Min 150kpa-Max 500kpa

Features

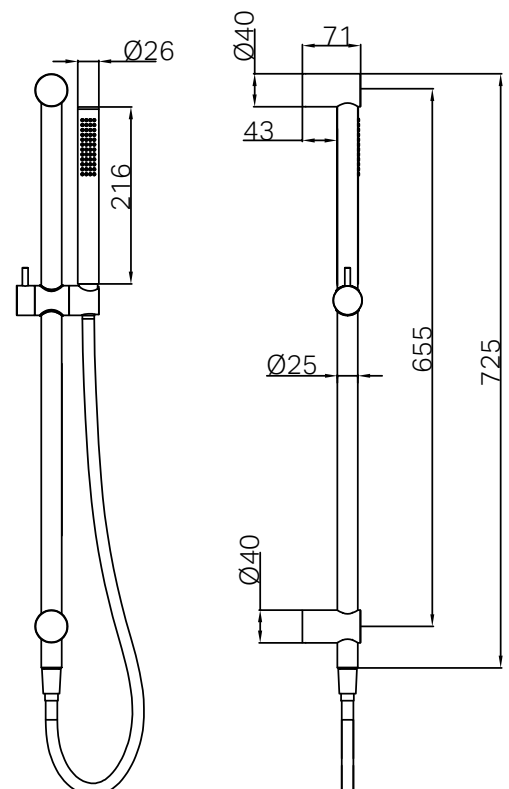
- Solid 316L stainless steel rail
- Single function handset
- Exposure round rail with built-in water delivery point
- Strong and durable, outdoor hose
- Build in dual check valve
- Height adjustable handset slider

Maintenance And Care

- Regularly check the mixer and connections for signs of wear or leaks.
- Clean the tap with mild soapy water to maintain its appearance, avoiding harsh chemicals and abrasive materials that may damage the finish.



Lead Free



- Dimensions are nominal measurements only.