

# HB08

## HARRINGTON FREE-STANDING BATH MIXER

meir®

### FEATURES

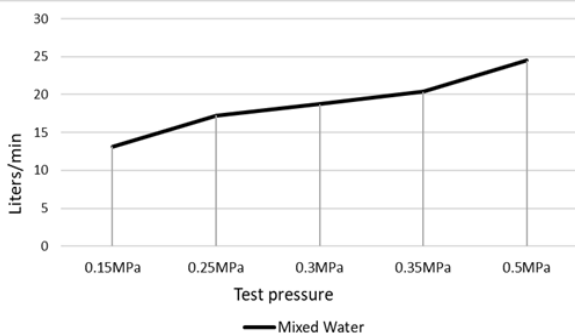
- Refer to the Meir website for warranty terms & conditions, and available finishes.
- Flow rate **19 L p/m** at 3 bar pressure.
- European components and cartridge
- Solid brass construction
- Installed to the P-SUB-003 floor base set supplied separately.

### CARE

- Do not install tapware using any form of acetone silicones.
- Do not apply physical items (such as tools) directly to product.
- Never use house-hold or commercial detergents, citrus based cleaners, or abrasive cleaners.
- Clean using a mild washing soap solution rinsed, and dry with a soft cloth.
- Check for any product defects before installation.
- Refer to the installation manual for correct installation.



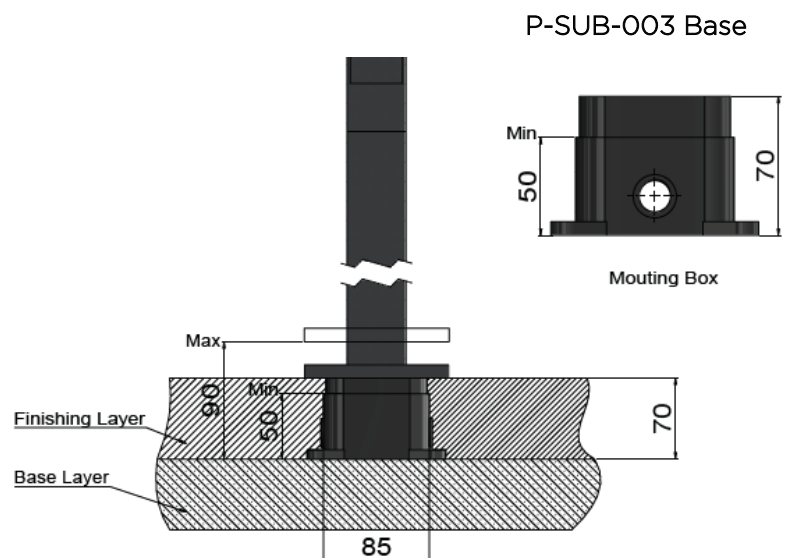
### FLOW RATE GRAPH



### CREDENTIALS

- Watermark AS/NZS3718WMKA25013
- 3-star WELS rated
- 9 litres p/minute

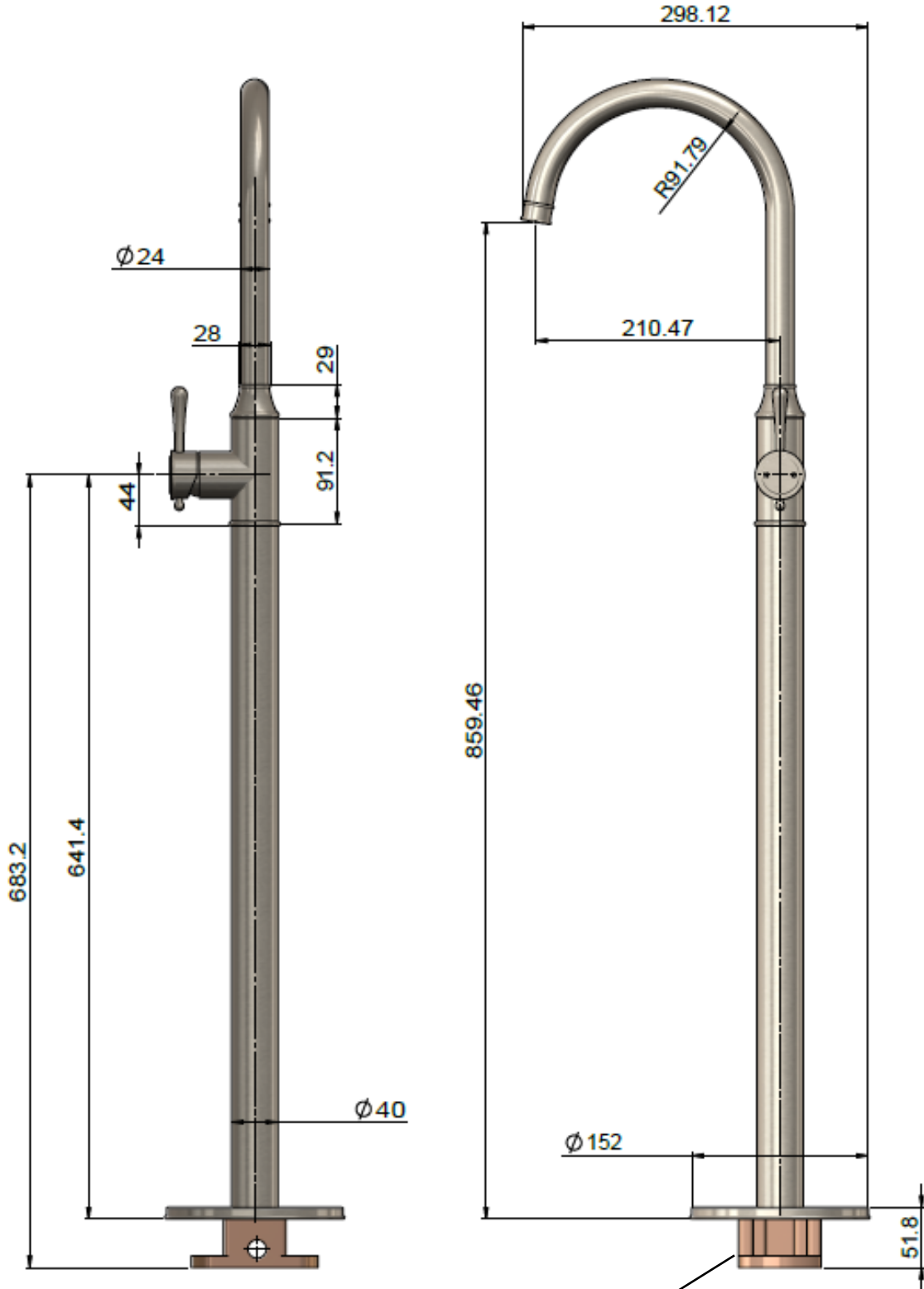
### TOLERANCE



# HB08

## HARRINGTON FREE-STANDING BATH MIXER

### SPECIFICATIONS

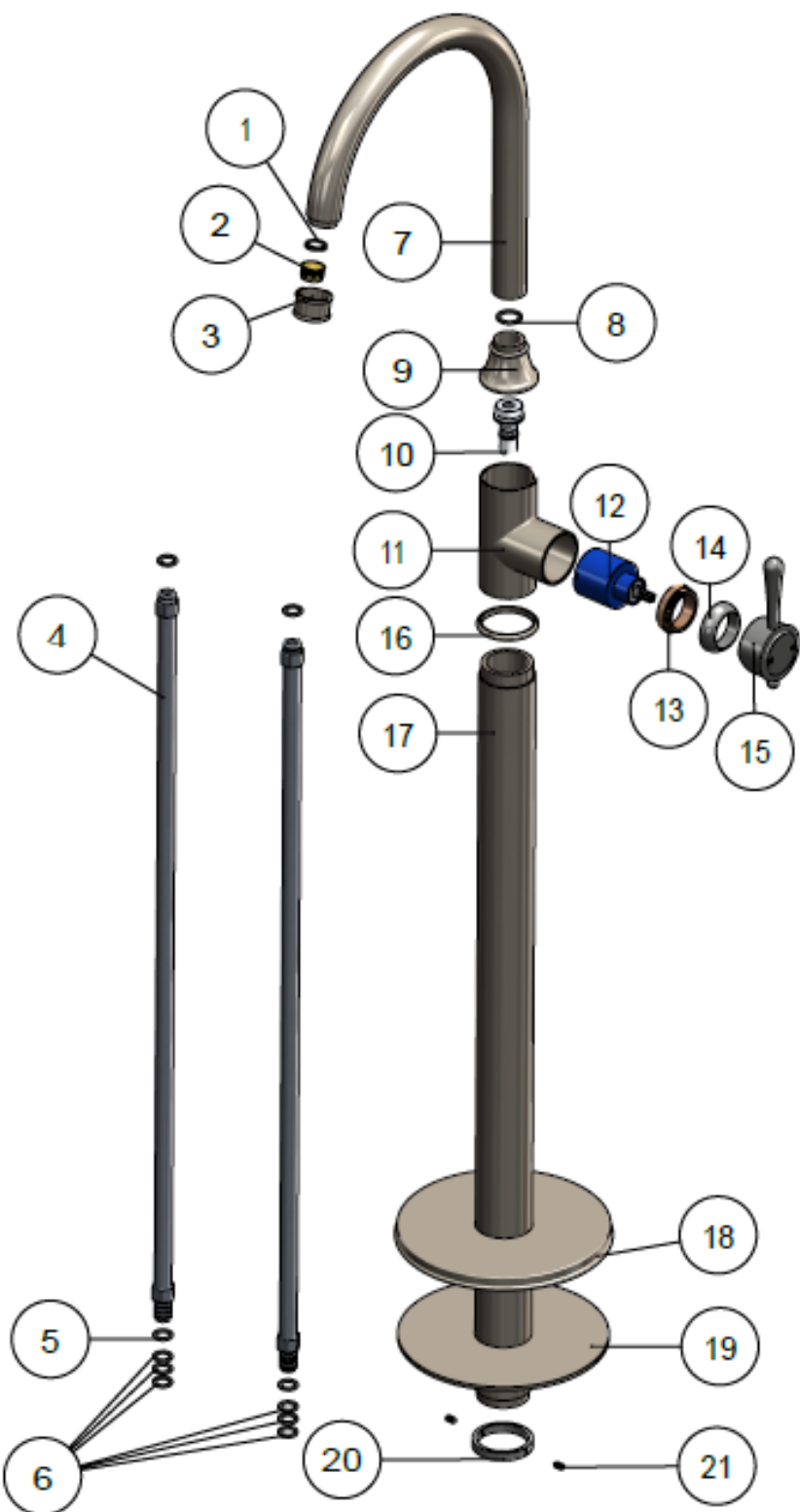


P-SUB-003 Base supplied separately

# HB08

## HARRINGTON FREE-STANDING BATH MIXER

### EXPLODED VIEW



No:	Part Name	Qty
1	Flat Washer	1
2	Aerator	1
3	Aerator Shell	1
4	Connector Pipe	1
5	O-ring	1
6	O-ring	8
7	Spout	1
8	O-ring	1
9	Decor Cover	1
10	Connector	1
11	Body	1
12	D35 Cartridge	1
13	Lock Nut	1
14	Decorative Cover	1
15	Handle	1
16	Decorative Cover	1
17	Pipe	1
18	Base Plate	1
19	Foam Washer	1
20	Fixed Nut	1
21	Screw	1