

HK03

HARRINGTON KITCHEN MIXER

meir®



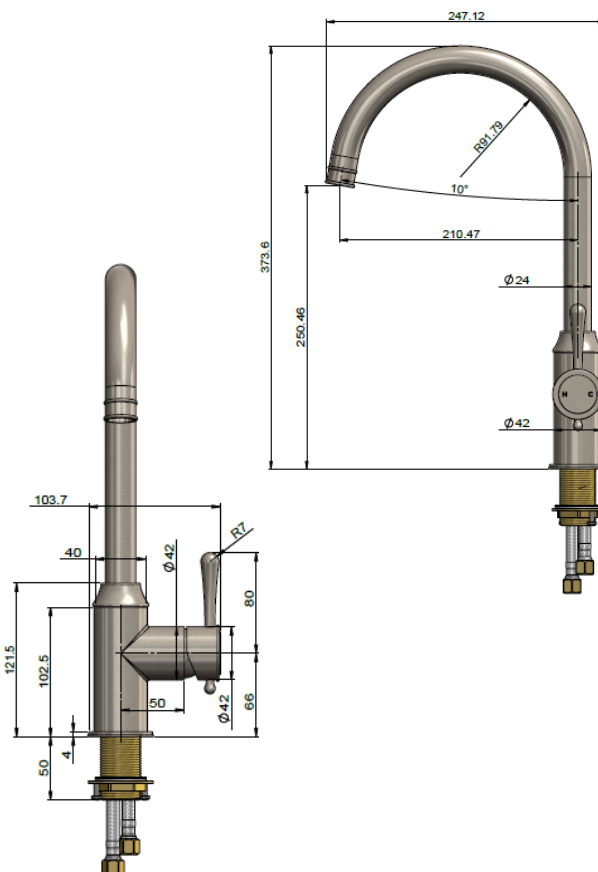
FEATURES

- Refer to the Meir website for warranty terms & condition, and available finishes.
- Flow rate **6 p/m** at 3 bar pressure.
- European components and cartridge
- Solid brass construction

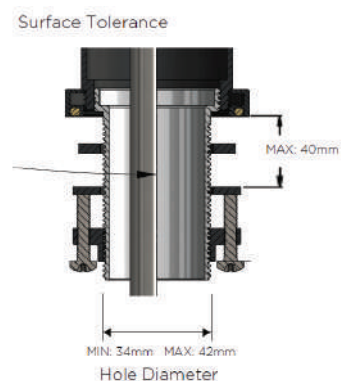
CARE

- Do not install tapware using any form of acetone silicones.
- Do not apply physical items (such as tools) directly to product.
- Never use house-hold or commercial detergents, citrus based cleaners, or abrasive cleaners.
- Clean using a mild washing soap solution rinsed, and dry with a soft cloth.
- Check for any product defects before installation.
- Refer to the installation manual for correct installation.

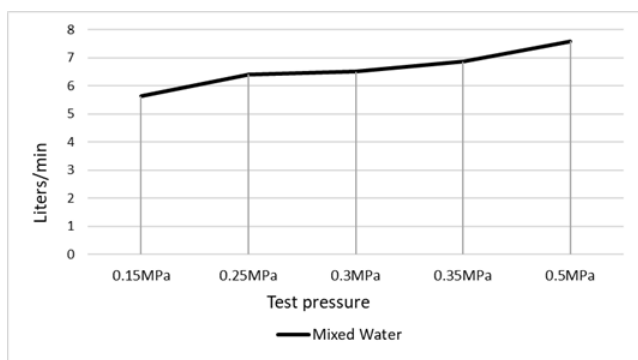
SPECIFICATIONS



TOLERANCES



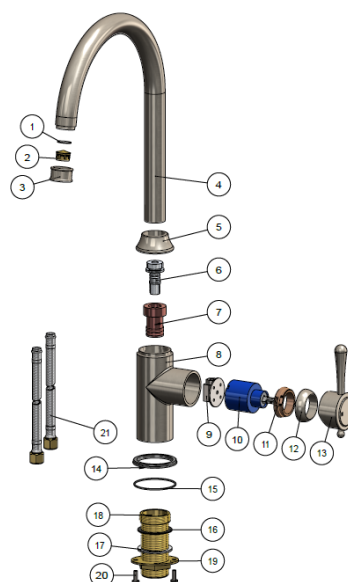
FLOW RATE GRAPH



CREDENTIALS

- Watermark AS/NZS3718WMKA25013
- 5-star WELS rated
- 6 litres p/minute
- WELS registration No: New Registration

EXPLODED VIEW



No:	Part Name	Qty
1	Flat Washer	1
2	Aerator	1
3	Aerator Shell	1
4	Spout	1
5	Decor Cover	1
6	Connector	1
7	Sleeve	1
8	Body	1
9	Cartridge Base	1
10	D35 Cartridge	1
11	Lock Nut	1
12	Decorative Cover	1
13	Handle	1
14	Base Plate	1
15	O-ring	1
16	Flat Washer	1
17	Washer	1
18	Threaded Tube	1
19	Mounting Fittings	1
20	Screw	2
21	Water Inlet Hose	2