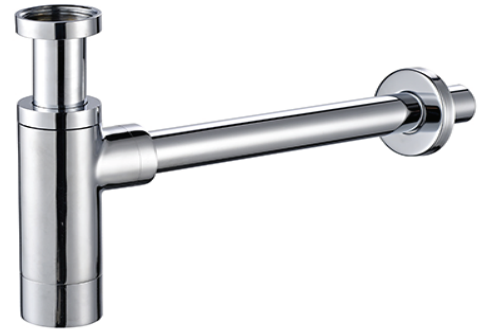


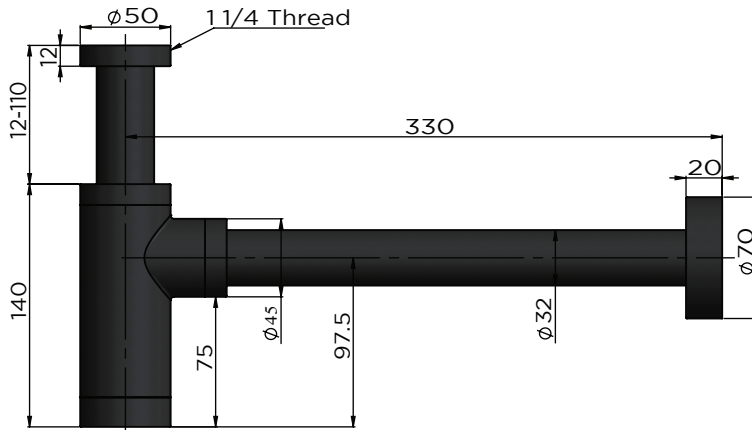
# MP05F-R32

## BOTTLE TRAP

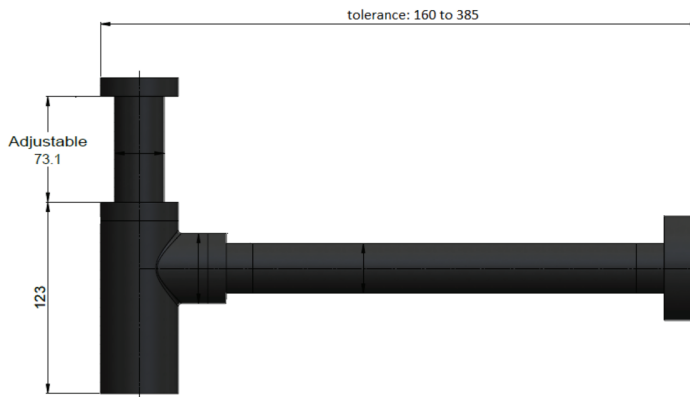
meir®



### SPECIFICATIONS



### TOLERANCE



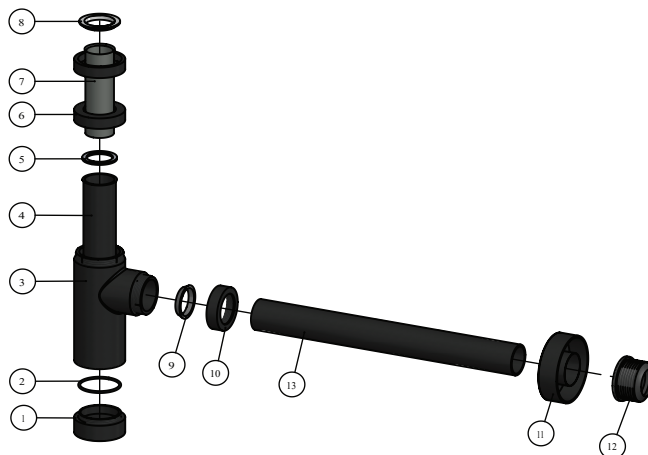
### CARE

- Do not install tapware using any form of acetone silicones.
- Do not apply physical items (such as tools) directly to product.
- Never use house-hold or commercial detergents, citrus based cleaners, or abrasive cleaners.
- Clean using a mild washing soap solution rinsed, and dry with a soft cloth.
- Check for any product defects before installation.
- Refer to the installation manual for correct installation.

### FEATURES

- Refer to the Meir website for warranty terms & conditions, and available finishes.
- Includes a rubber sleeve adapter for the wall waste pipe connection.
- Box Weight 0.3 kg

### EXPLODED VIEW



No.	Part Name	Qty
1	Bottom End Fitting	1
2	O-ring	1
3	Bottle Trap	1
4	Plastic Pipe	1
5	Washer	2
6	Upper End Nut	1
7	Connecting Pipe	1
8	Two-stage Washer	1
9	Conical Washer	1
10	Horizontal Washer	1
11	Wall Plate Cover	1
12	40-45mm Hole Plug Sleeve	1
13	Connecting Pipe	1