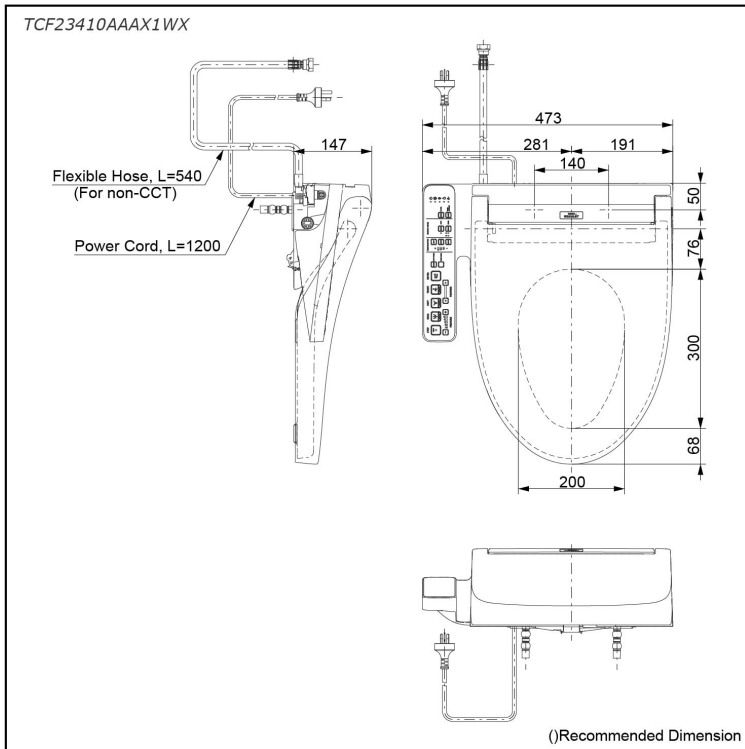


## WASHLET C2



## Features

- EWATER+ spreads out and keeps the nozzle clean by preventing bacteria with sanitizing effect
- PREMIST water is sprayed inside the toilet bowl to make it difficult for dirt to adhere
- Fully equipped with comfortable rear, front and oscillating cleansing functions
- Adjustable WARM AIR DRYING
- HEATED SEAT with temperature control
- Auto powerful DEODORIZER activates after every usage

EWATER+ is made from tap water by electrolyzed chloride ion without any chemicals. After use, it returns to normal water in the state of safe and environmental friendly

## Specifications

Bowl Shape:	Elongated
Water Pressure:	0.05Mpa~0.75Mpa
Power Rating:	220~240V , 50/60Hz, 306~361W
Length of Power Cord:	1.2 m
Material:	Plastic
Size:	472W x 530D x 147H mm

## Parts description

- TCF23410AAAX1WX WASHLET Elongated

## Colors

White #NW1

## Certifications

